

## Materials

- Body:** Cast aluminum
- Main Stem:** Stainless steel
- Stem Seal:** Graphite with Teflon®
- Disc:** Viton®
- Spout:** OPW 296 brass or 297 aluminum (optional)



**190-0115**  
(Spout optional, see Page 201)

## Features

- ◆ Aluminum Body – lighter weight, easier to maneuver.
- ◆ Dual Poppets – allow for low flow metering (this nozzle is not intended for high pressure pump applications).
- ◆ Replaceable Hold-Open Rack – for use when fueling large-capacity tanks. Nozzle must be attended at all times during usage.
- ◆ Right Angle Design – provides larger lever area for better grip and easier control; permits nozzle to fit into awkward spaces close to walls and into corners.
- ◆ Drag Lugs – protect the nozzle when dragged across rough surfaces; enhances long-life durability.
- ◆ Easily Replaced Spout – the spout is easily threaded into the body. Replacement spouts are readily available from OPW.
- ◆ NPT Female Threads at Inlet End – standard pipe threads accept all standard 1", 1-1/4", 1-1/2" and 2" male connections.

### Design working pressure

- ◆ 50 psi (3.45 bar) maximum pressure

## Ordering Specifications

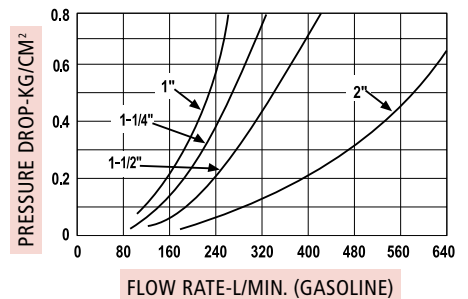
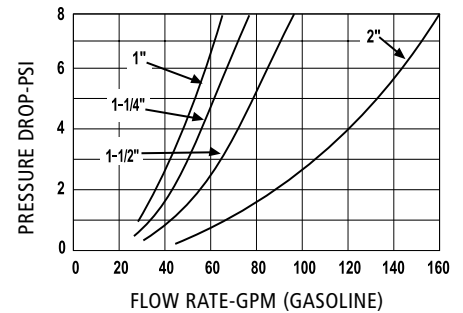
Product #	Inlet Thread		Spout Diameter			
	in.	mm	in.	mm	lbs.	kg
190-0112	1"	25	1 1/4"	32	2.3	1.0
190-0113	1 1/4"	32	1 1/4"	32	2.3	1.0
190-0114	1 1/2"	38	1 1/2"	38	3.0	1.4
190-0115	2"	51	2"	51	5.8	2.6
190G-B104	1 1/2"	38	1 1/2"	38	5.1	2.3

w/ Spout and Ground Wire  
Gov't. Nat'l. Stock #: 4930-01-360-5540

## OPW 190 High-Flow Nozzles

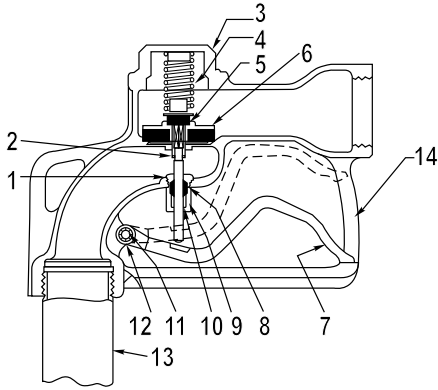
### For High-Flow, Bulk Fuel Oil Delivery Service

Designed to handle high flow when line pressure is not a critical consideration or otherwise absorbed.



NOTE: See OPW's Website at [www.opwglobal.com](http://www.opwglobal.com) for product instruction sheets, trouble-shooting guides, how-to-use guide and to view the Do's & Don'ts at the Gas Pump video.

**Replacement Parts - OPW 190 Nozzles**



Key	Part #	Description	190-0112	190-0113	190-0114	190-0115	190-B104
1	H00195RB	Stuffing Box	•	•	•		•
1	H00250RB	Stuffing Box				•	
2	H00538RE	Stem	•	•	•		
2	H06742RE	Stem				•	
3	H09600AH	Cap	•	•	•		
3	H09601AH	Cap				•	
3	H11592AH	Cap					•
4	H00136M	Spring	•	•	•		•
4	H03666M	Spring				•	
5	190K-0001	Upper Poppet S/A	•	•	•		•
5	H01814	Upper Poppet S/A				•	
6	H01817	Lower Poppet S/A	•	•	•		•
6	H01818	Lower Poppet S/A				•	
7	H11925M	Lever	•	•	•		•
7	H06733M	Lever				•	
8	C04495M	Packing	•	•	•	•	•
9	H07012M	Packing Gland	•	•	•		•
9	H00520RB	Packing Gland				•	
10	H00113RA	Packing Nut	•	•	•		
10	H00252RA	Packing Nut				•	
10	H00113RAG	Packing Nut					•
11	H08163M	Push Nut	•	•	•	•	•
12	H08164RE	Pin	•	•	•		•
12	H08165RE	Pin				•	
13	297-9020	Spout (optional)	•	•			
13	297-9030	Spout (optional)			•		
13	297-9040	Spout (optional)				•	
13	296-0040	Spout, Brass (optional)		•			
13	296-0060	Spout, Brass (optional)			•		
13	296-0080	Spout, Brass (optional)			•		
14	C04698M	Rack	•	•	•	•	•
14	H14105M	Screw	•	•	•	•	•
Not Shown							
	296CA-4000	Dust Cap*					•
	153-0910	Strainer					•

\*See page 202 for Dust Caps