

## Materials

- Body Ring:** Cast iron
- Cover:** Cast iron
- Skirt:** Galvanized steel



### OPW 104A Cast Iron Manhole

A sturdy steel skirt on the standard 104A extends nearly a foot below grade to ensure trouble-free installation in deep concrete, and optional skirts that extend a full 19-1/4" below grade are available in 12" and 18" diameters for sandy soil locations.

### OPW 104FG Cast Iron Manhole

The 104FG provides a convenient finger grip feature on the cover to facilitate cover removal.

### Features

- ◆ Full-size internal diameters for maximum access and working area
- ◆ Highway 20 Rated (H20) – All OPW spill containers and manholes exceed the requirements of the Highway 20 rating
- ◆ Rugged cast iron covers and body rings
- ◆ Cast-in, non-skid finish on covers
- ◆ Sturdy, extra long steel skirts
- ◆ Individually boxed for ease of handling

## Ordering Specifications

Product #	ID (in.)	ID (mm)	lbs.	kg
104A-0800	8	203	15	6.8
104A-0800WT	8	203	15	6.8
104A-1200	12	305	28	12.7
104A-1200WT	12	305	33	15.0
104A-1219	12	305	33	15.0
104FG-1200*	12	305	28	12.7
104FG-1219*	12	305	33	15.0
104A-1800	18	457	50	22.7
104A-1800WT	18	457	50	22.7
104A-1819	18	457	57	25.9
104A-1819WT	18	457	57	25.9

\* Finger Grip Cover Manhole

### Replacement Parts

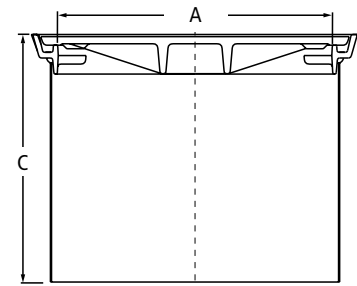
Part #	Description
E00508M	Cover for 8" 104A-0800
E00510M	Cover for 12" 104A-1200
E00584M	Cover for 12" 104FG-1200
E00512M	Cover for 18" 104A-1800
206118	Cover for 8" 104A-0800WT
206119	Cover for 12" 104A-1200WT
206120	Cover for 18" 104A-1800WT

### Replacement Parts

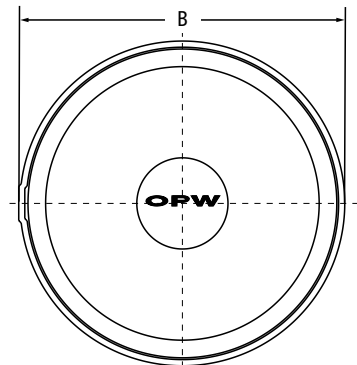
Part #	Description
H12872M	Cover for 8" w/ Ring Seal
H12873M	Cover for 12" w/ Ring Seal
H12874M	Cover for 18" w/ Ring Seal

## OPW 104 Series Cast Iron Manholes

Heavily ribbed cast iron covers and body rings ensure maximum load bearing capacity on cast iron manholes and fill boxes. These manholes are ideal for connecting underground tank lines directly to the surface without sump enclosures. A variety of features available on cast iron manholes and fill boxes make them the perfect choice for many applications.



OPW 104A/FG Cast Iron Cover Manholes



OPW 104A & 104FG Cover

### Dimensions

Product #	A		B		C	
	in	cm	in	cm	in	cm
104A-0800	8	20.3	10 <sup>1</sup> / <sub>8</sub>	25.7	11 <sup>1</sup> / <sub>4</sub>	28.6
104A/FG-1200	12	30.5	14 <sup>1</sup> / <sub>4</sub>	36.2	11 <sup>1</sup> / <sub>4</sub>	28.6
104A/FG-1219	12	30.5	14 <sup>1</sup> / <sub>4</sub>	36.2	19 <sup>1</sup> / <sub>4</sub>	48.9
104A-1800	18	45.7	20 <sup>1</sup> / <sub>8</sub>	51.1	11 <sup>1</sup> / <sub>4</sub>	28.6
104A-1819	18	45.7	20 <sup>1</sup> / <sub>8</sub>	51.1	19 <sup>1</sup> / <sub>4</sub>	48.9