

WARRANTY

13212

Installation & Maintenance Manual NV4000, NV4000E, NV4000C

All parts and products are thoroughly inspected and tested from the time raw material is received at our plant, until the product is completed. We guarantee that all products are free from defects in materials and workmanship for a period of one year from the date of shipment. Any product that may prove defective within said one year period will, at our discretion, be promptly repaired, replaced or credit given for future orders. This warranty shall not apply to any products which has been altered in any way, which has been repaired by any party other than an authorized service representative, or when such a failure is due to misuse or condition of use. We shall have no liability for labor costs, freight costs or any other costs or charges in excess of the amount of invoice for the products.

THIS WARRANTY IS IN LIEU OF ALL OTHER WARRANTIES, EXPRESS OR IMPLIED AND SPECIFICALLY THE WARRANTIES OF MERCHANTABILITY AND FITNESS FOR A PARTICULAR PURPOSE.

WARNING!!

CIVACON products should be used in compliance with the applicable federal, state and local laws and regulations. Product selection should be based on physical specifications and limitations, compatibility with the environment, and the material being handled.

CIVACON MAKES NO WARRANTIES OF FITNESS FOR A PARTICULAR PURPOSE.

TECHNICAL ASSISTANCE

If at any time during the installation a question arises that is not covered in this manual or with any other applicable documents feel free to call the Customer Service Department or visit our website at www.civacon.com.

In the U.S., call 1-888-526-5657
In all other countries, call your local agent.

Product Description

The primary function of the Pressure/Vacuum (PV) vent is to control the pressure and vacuum condition of the tank during operation. The vent is designed to relieve (pop-off) pressure or vacuum due to temperature changes at specific setting. The device is designed with a roll-over shut off feature to seat the tank in an overturn condition. In addition, the vent is standard with a filter/flame arrestor.



Manual

The manual contains the inspection, maintenance schedule, and instructions for repairing and replacing parts for all NV4000 Pressure/Vacuum Vents. The following schedule, based on the environmental conditions in the northern United States, is only a recommendation: Inspection and maintenance intervals must be adjusted according to use and operating conditions. If any parts are damaged, refer to the Product Maintenance section.

Installation Procedure

1. Remove existing vent
2. Apply anti-seize compound to the threads of the new vent
3. Install new vent and hand tighten
4. Using a 15/16" wrench, socket, or pliers tighten the vent 1/8 to 1/4" turn (approximately 12-15 ft-lbs.) Test

Do not over tighten as the may cause damage to the vent

Product Maintenance

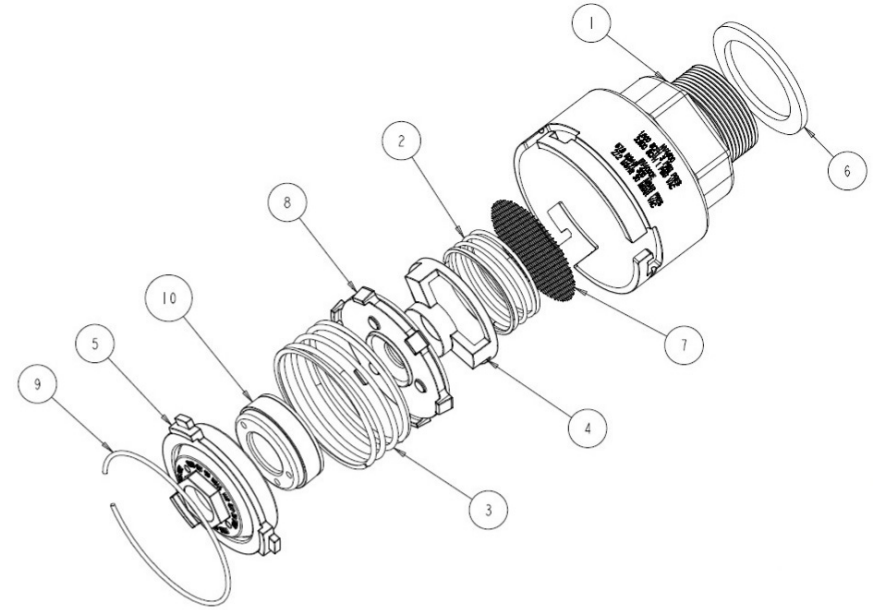
This Pressure Vacuum Vent contains a flame arrestor screen (Item 7) which over time may collect dirt, leaves and other foreign objects. IT IS THE USER'S RESPONSIBILITY TO INSPECT AND KEEP THIS AREA CLEAN SO THAT THE VENT CAN OPERATE PROPERLY.

Disassembly: Remove the snap ring (9) then press and rotate the rollover housing (5) counterclockwise. Gaskets should be inspected for cuts, swelling, or deterioration. If any of these conditions are found, seals should be replaced. Inspect seal surfaces for scratches or other damage that may lead to improper sealing. If these conditions exist, replace the vent.

Cleaning: If the vent is operating in a dirty environment or more aggressive liquids, more frequent maintenance will be required. We also recommend periodic testing of the vent to ensure that it is working properly. If it is not functioning properly clean filter/flame arrestor (7), vacuum poppet assembly (8), pressure poppet (4), body sealing surfaces (1), and shutoff puck assembly (10), with warm soapy water.

Re-assembly: Install components in reverse order of removal. For easy re-assembly, ensure shutoff puck is centered in the vent when installing the rollover housing. Once re-assembled, a light tap to the vent may be needed to help align components to their natural state.

CAUTION: The filter/flame arrestor must be cleaned periodically for safe operation.



ITEM	PART NUMBER	DESCRIPTION	QTY.
1	13154	Body	1
2	13155	Spring, Pressure	1
3	13156	Spring, Vacuum	1
4	13157	Poppet, Pressure	1
5	13159	Housing, Rollover Puck	1
6	13163	Gasket, Flat	1
7	13167	Flame Arrestor	1
8	13192	Assembly, Vacuum Poppet	1
9	13207	Ring, Wire External Snap	1
10	13208	Assembly, Shutoff Puck	1
	13212	Instruction Sheet	