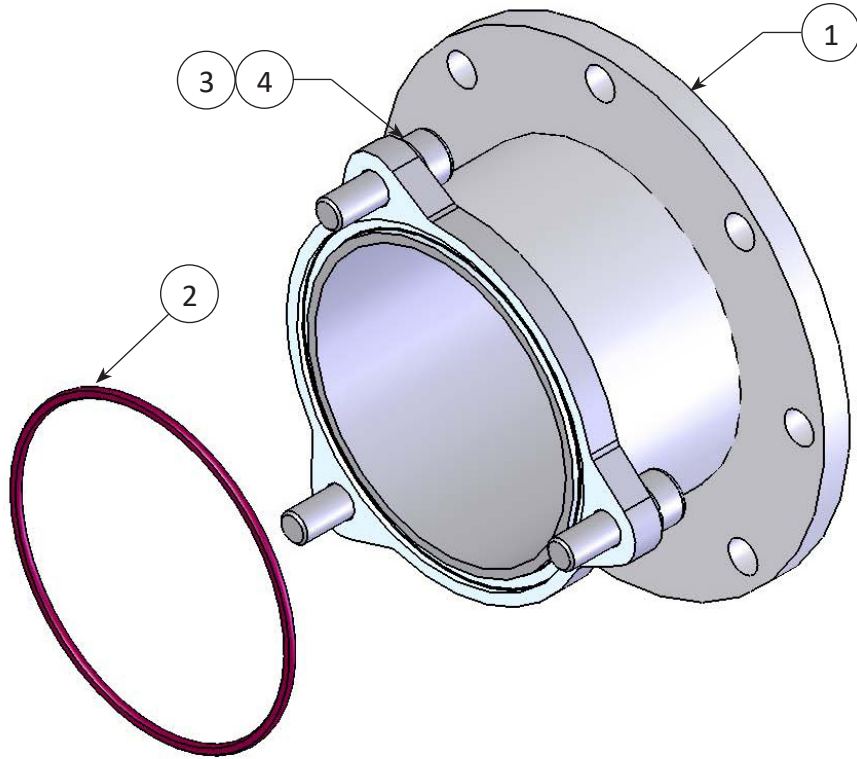


10983M 4" TTMA Adapter Assembly

01-05-011RP



ITEM	PART NUMBER	DESCRIPTION	QTY.
1	10974M	4" TTMA FLANGE WELDMENT (2-3/4)	1
2	10494M	O-RING, 102 x 3 NITRILE	1
3	10521M	SCREW, M10 x 1.5 x 30, ZINC PLATED	3
4	10740M	LOCK WSHR, M10 ZINC PLATED	3



www.civacon.com ◆ 9393 Princeton-Glendale Road ◆ Hamilton, Ohio, USA 45011 ◆ Phone: (800) 422-2525 ◆ Fax: (800) 421-3297

NOTE: All information subject to engineering and/or other changes. All trade names are copyrighted. Patents Pending. ©2018 Civacon. ©2018 Delaware Capital Formation, Inc. All Rights Reserved. DOVER and the DOVER logo are registered trademarks of Delaware Capital Formation, Inc., a wholly-owned subsidiary of Dover Corporation.

Rev B Mar 2020

DEFINING | WHAT'S NEXT