

CAM LEVER ADJUSTMENT PROCEDURE LM 20" MANHOLE ASSEMBLY WITH ADJUSTABLE CAMS

- STEP 1: See Figure 1. After cover (1) is installed on weld ring (2) with hinge pin (3), position cam levers (4) on cover and close cam at each hold-down position. Minimal friction resistance between bottom of cam and top of wear plate (5) should be evident. See (FIGURE 1)
- STEP 2: Insure upper pivot pin is centered between cam lever "ears". Use socket wrench to tighten cam adjustment bolt (6) on top until gasket and weld rings top surface make contact at each of the six cam locations
- STEP 3: To insure a good peripheral sea tighten each cam adjustment bolt (6) shown in FIGURE 1 to 13 lbs-ft (up to 16 lbs-ft). Cam tightening order should be done in a star pattern which is shown in FIGURE 2. Tighten starting with cam number 1 and move sequentially to cam number 6.

NOTE (1): Gaskets should be checked periodically for cuts or accumulation of product and could result in sealing problems. Replace all damaged gaskets.

NOTE (2): Cam levers and wear plates need to be inspected for excessive wear in the area where they make contact. If the cam lever opens easily with minimal resistance, replace the worn components.

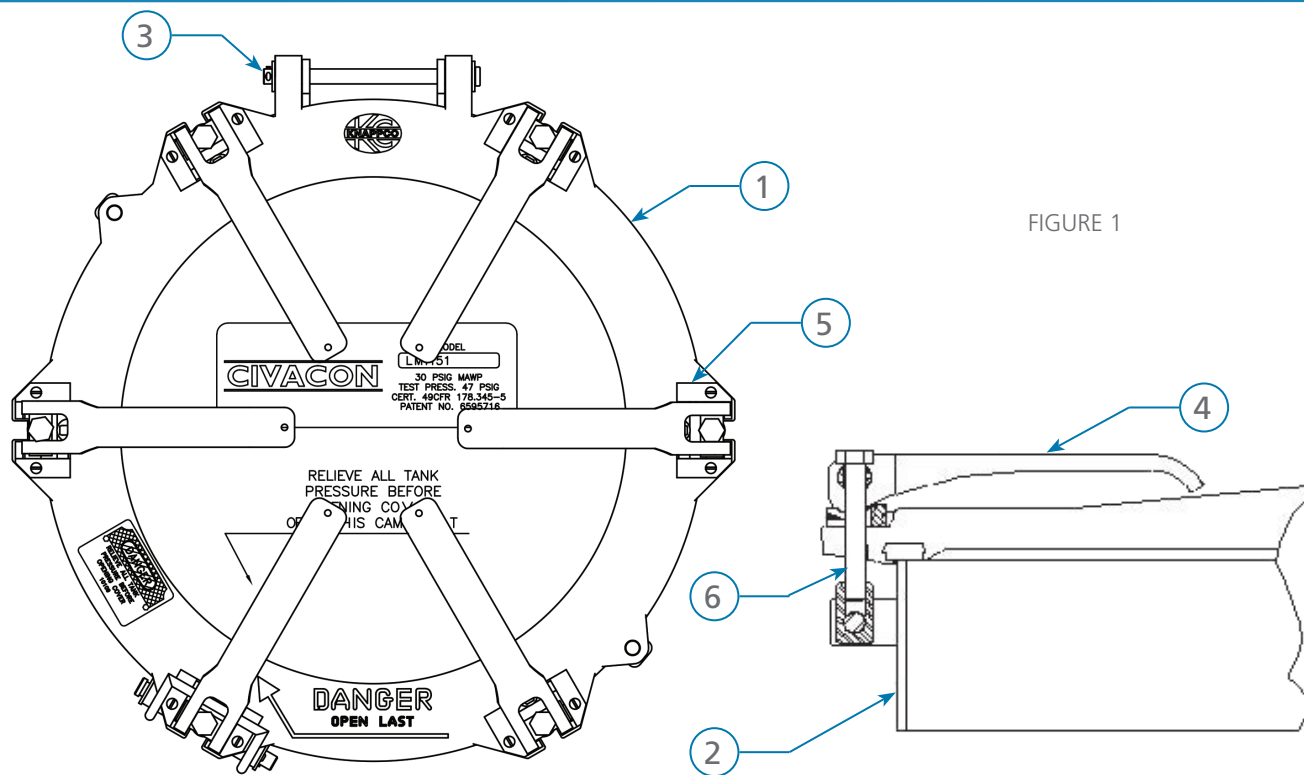


FIGURE 1

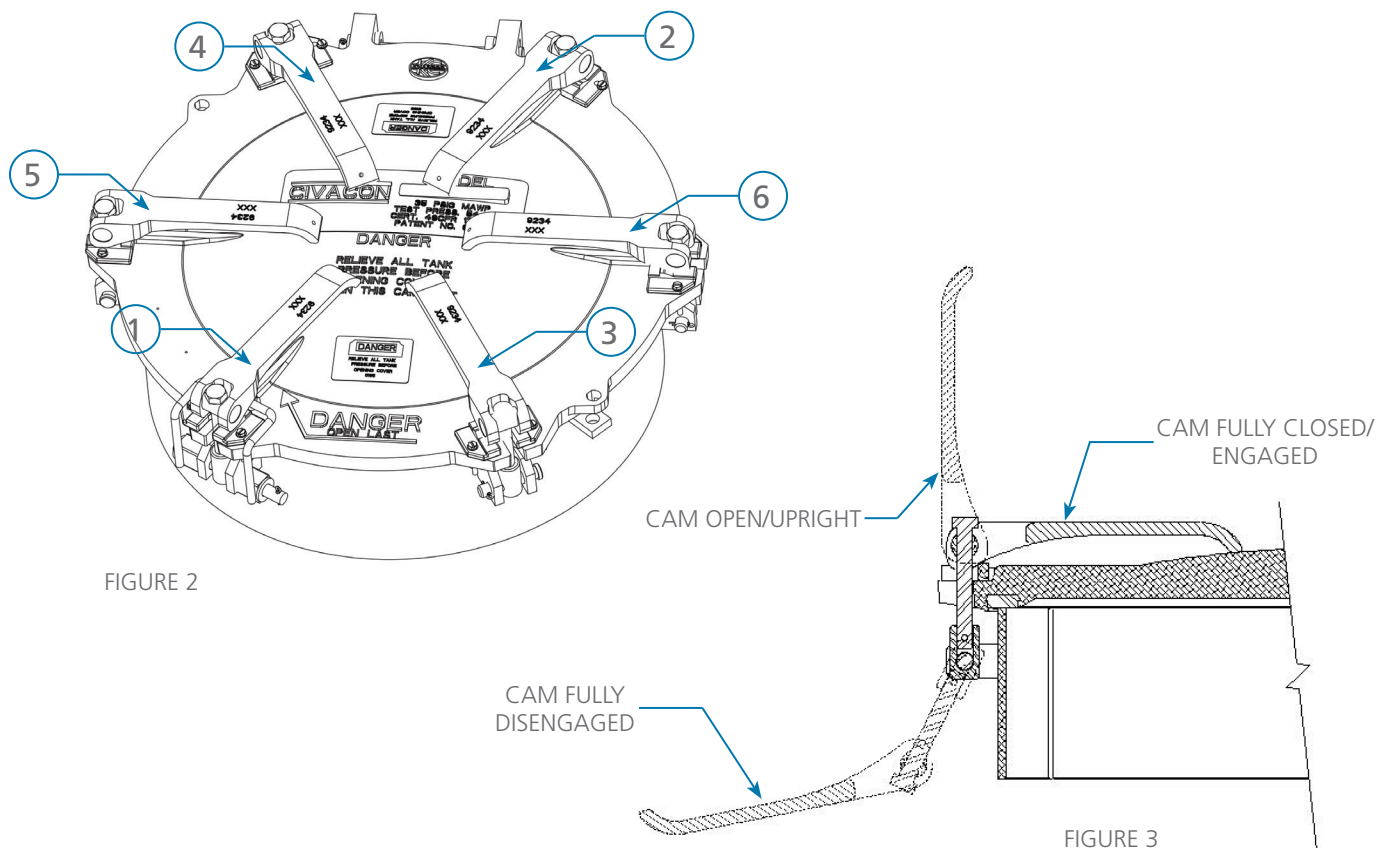


FIGURE 2

FIGURE 3