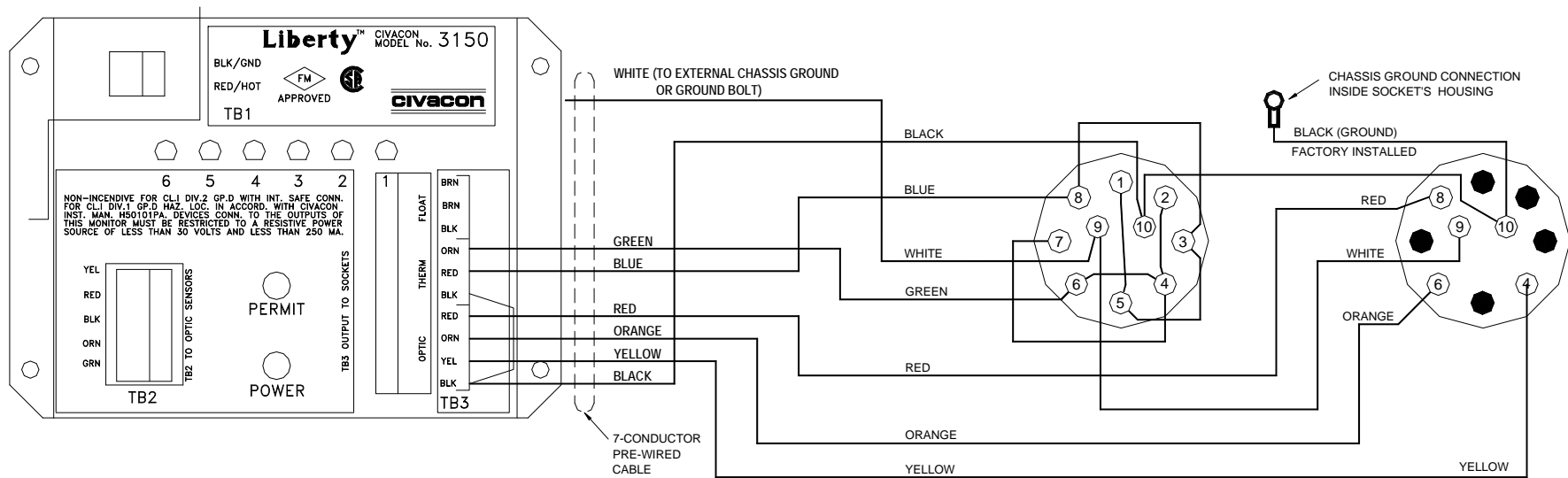




## Model 4820 Series Truck Socket Wiring to Liberty (5-Wire) OBM



**NOTE:** Socket Installation Tips:

1. Install plastic, liquid tight strain relief fitting into right side port of ROM II housing for cable installation.
2. White Wire from Pin #9 should be connected to an external Aux. Chassis Ground per API RP-1004 recommended practice, or to other ground verification device / connection (e.g. Ground Bolt).
3. Apply electrical dielectric grease to the Socket Mounting Bolts, Electrical Terminals on Rear of Sockets and Chassis Ground connections in the chassis to protect these from moisture and corrosion.