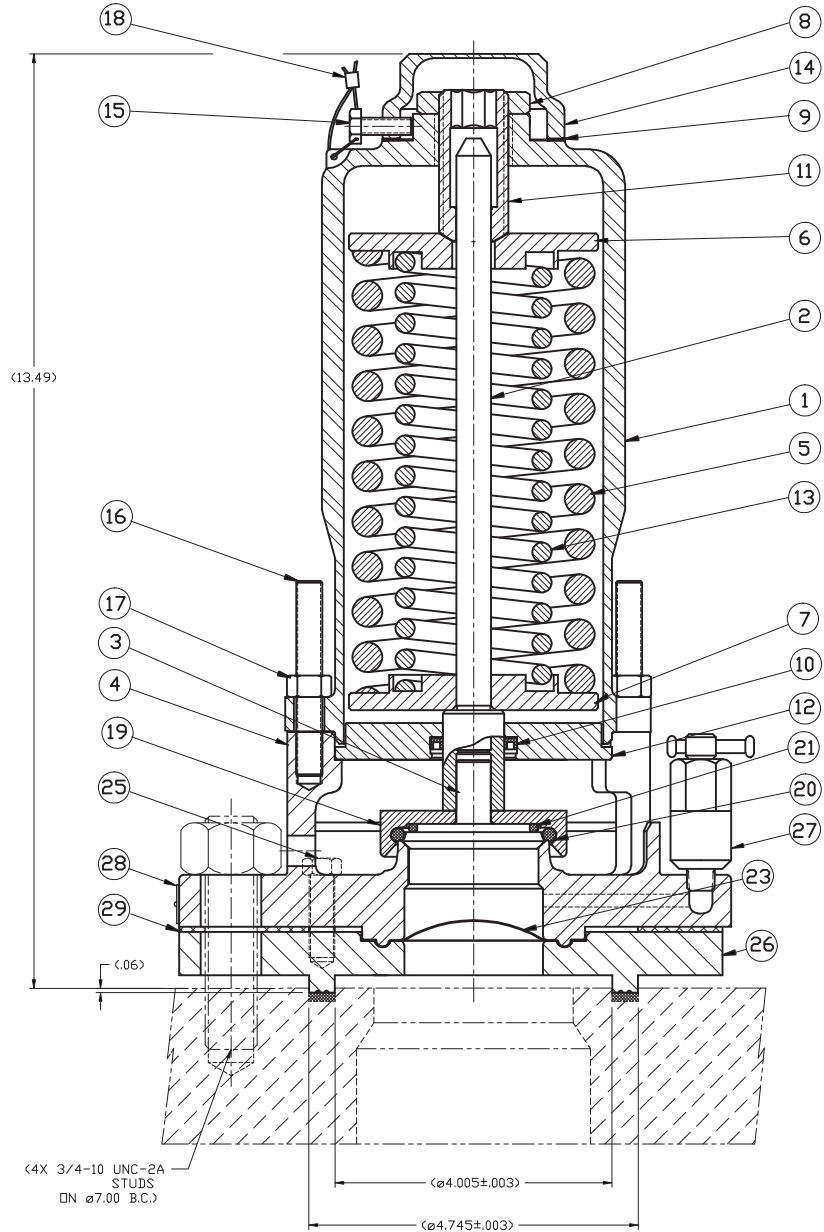


# Model A-15452-HC Series

## Pressure Relief Valve



Item	Qty	Part Name	Part Number	Material
1	1	Top Guide	15-0012-SS	Stainless Steel
2	1	Stem	15-0022-XC	Hastelloy C
3	1	Plug	15-003-HC	Hastelloy C
4	1	Body	15-0043-HC	Hastelloy C
5	1	Outer Spring	15-0450-SS	Stainless Steel
6	1	Follower	15-0063-SS	Stainless Steel
7	1	Guide	15-0073-SS	Stainless Steel
8	1	Top Nut	15-008-SS	Stainless Steel
9	1	Top Gasket	15-9-VA	Viton
10	1	Shaft Seal	17-10-TF	PTFE
11	1	Adjusting Screw	15-117-SS	Stainless Steel
12	1	Seal Retainer	15-012-ML	Monel
13	1	Inner Spring	15-0451-SS	Stainless Steel
14	1	Cap	15-0141-SS	Stainless Steel
15	1	Seal Screw	15-15-CS	Steel
16	4	Stud	14-16-ML	Monel
17	4	Nut	14-17-ML	Monel
18	1	Wire Seal	15-18-PB	Stainless/Lead
19	1	Retainer	15-019-HC	Hastelloy C
20	1	Seat "O" Ring	15-020-VG	Viton
21	1	Plug "O" Ring	15-021-VG	Viton
22				
23	1	Rupture Disc	15-023-TA-450	Tantalum
24				
25	4	Bolt	17-31-SS	Stainless Steel
26	1	Adapter Flange	15-026-HC	Hastelloy C
27	1	Needle Valve	A-251-ML	Monel
28	1	Nameplate	15-067-ML	Monel
29	1	Filler	15-029-VA	Viton

\*Alternate material available

Valve Part Number	Valve Pressure Setting (PSIG)	Rupture Disc Setting (PSIG)	Flow Rating Pressure (PSIG)	Flow Rate (SCFM)
A-15452-HC	428	450	494	24,490

Revision Date: January 13, 2021