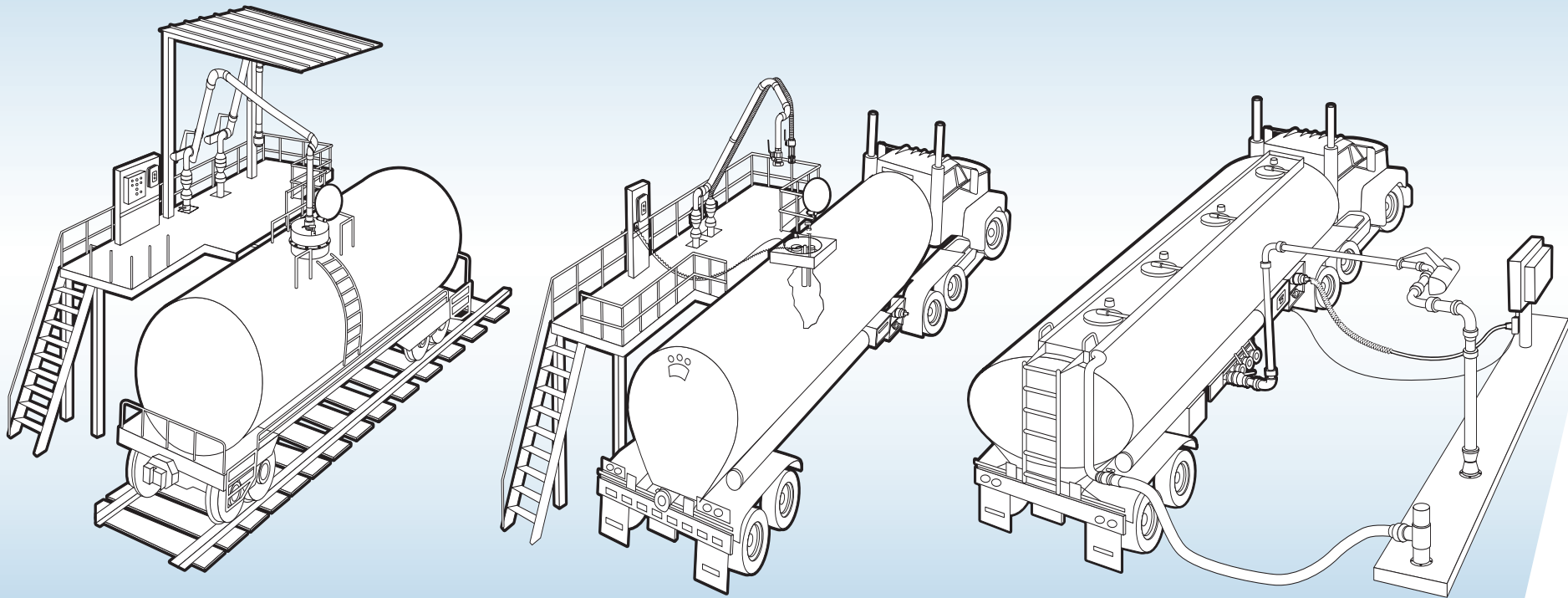


# RACK EQUIPMENT SALES GUIDE



## TOP OR BOTTOM-LOADING OVERFILL DETECTION/GROUND VERIFICATION EQUIPMENT

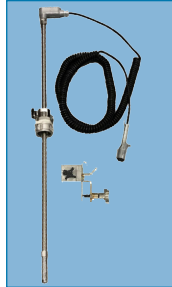
## Portable Overfill Protection for Top Loading Railcar or Tank Truck



8851N



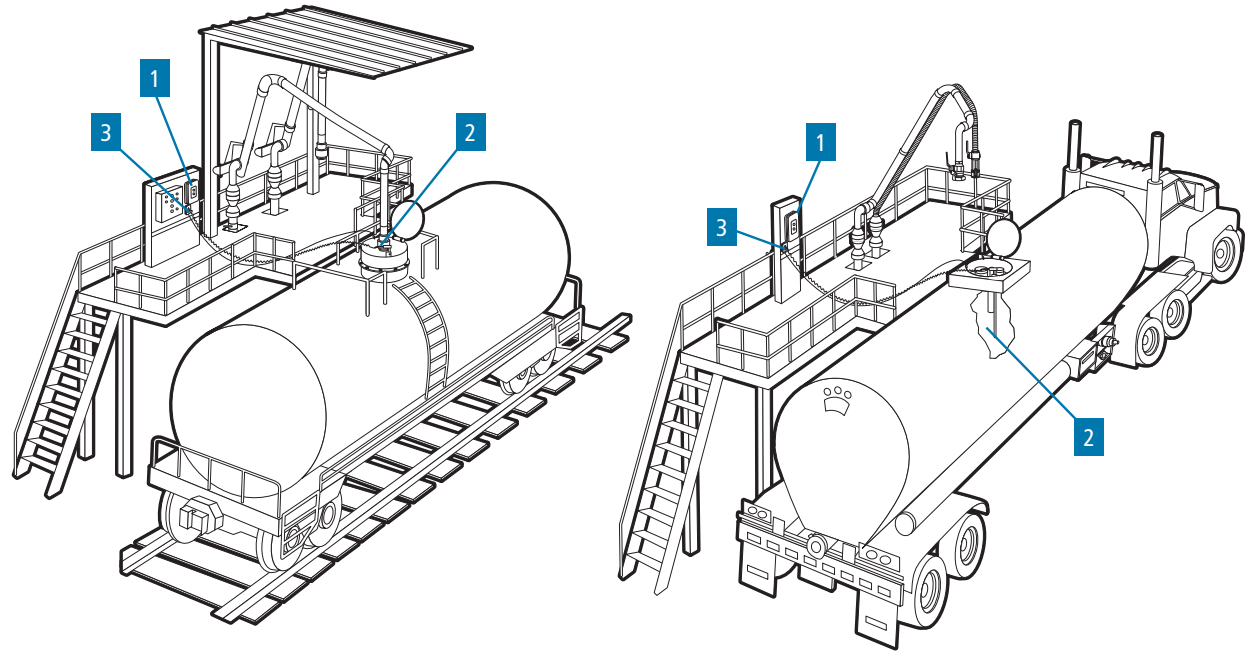
1300HS-XY  
1300KMLS-XY



1400RHS-XY  
1400RKMLS-XY



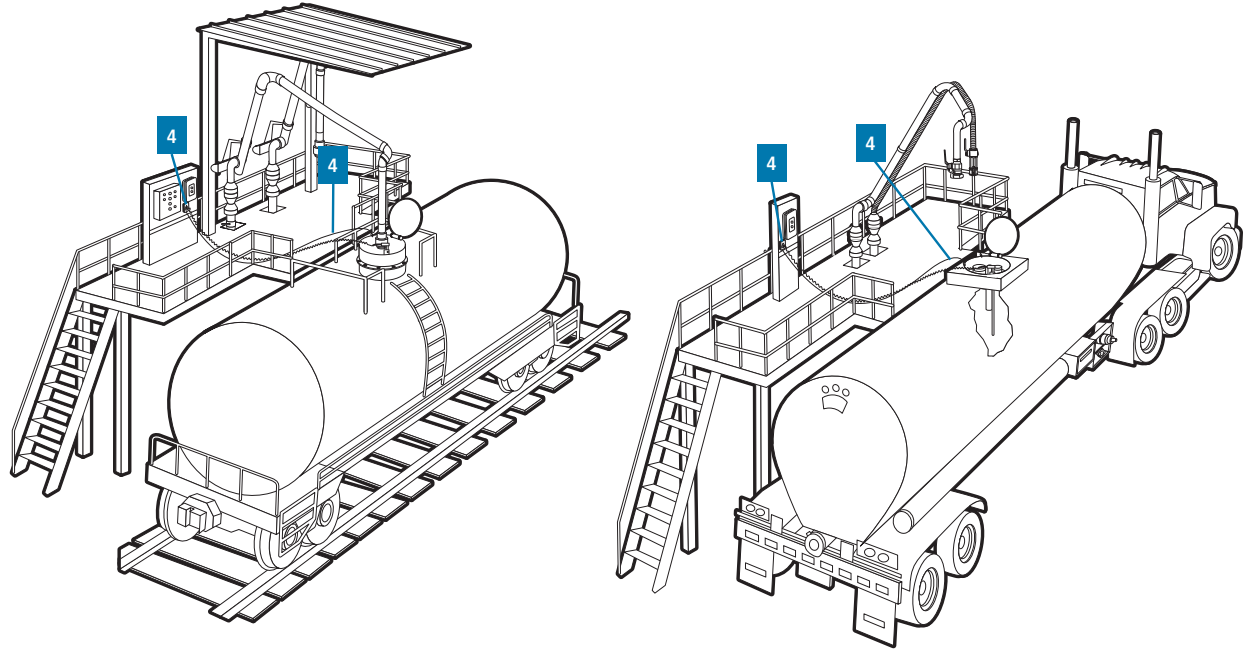
7540-7540



Products	Product #	Description
1 RACK MONITOR	8851N	5-Wire Optic Rack Monitor with Ground Verification, Red/Green Indicator Lights.
	1300HS-XY*	Cane Probe, Aluminum, with Universal Clamp*
	1300KMLS-XY*	Cane Probe, Aluminum, with 2" Kamlok® *
	1400RHS-XY*	Cane Probe, Aluminum, with Universal Clamp *
2 CANE PROBE (Select 1)	1400RKMLS-XY*	Cane Probe, Aluminum, with 2" Kamlok® *
	7540-7540	Junction Box with 7-pin socket for Cane Probes or Breakaway Optic Plug & Cord Set

\*X = Specify "0" for 15', "3" for 30' Coiled Cords; and YY = Specify 20", 36", 48", or 60" Lengths. See the Cane Probe Data Sheet for more information

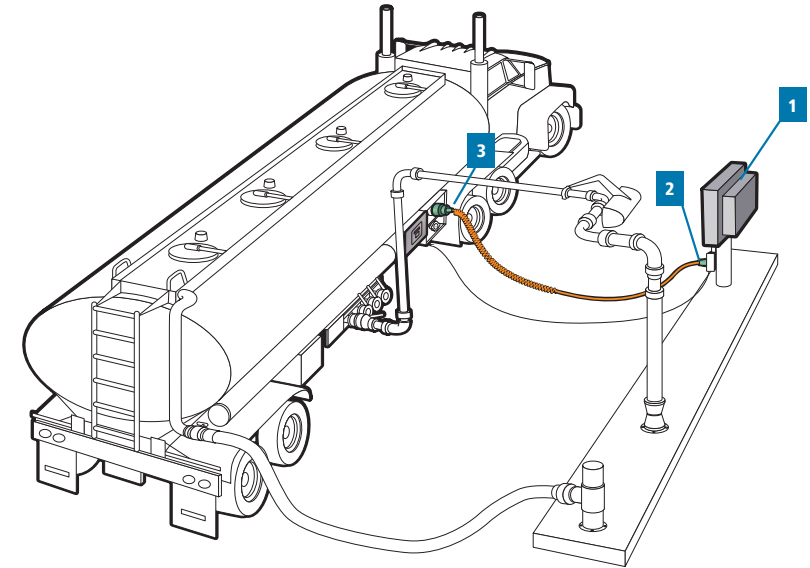
## Ground-Verification Connections for Top Loading Railcar or Tank Truck



Products	Product #	Description
4 GROUNDING CABLE & CLAMP*	7720-7720	Ground Verification Clamp with 40' straight cord
	7720-COIL	Ground Verification Clamp with 30' coiled cord
	7790-7790	Ground Verification Clamp with 40' straight cord and 7500-7500 Junction Box
	7790-COIL	Ground Verification Clamp with 30' coiled cord and 7500-7500 Junction Box
	7620-7620	Ground Verification Plug & Cord Set for dual-ball application with 30' straight cord
	7620-COIL	Ground Verification Plug & Cord Set for dual-ball application with 30' coiled cord
	7690-7690	Ground Verification Plug & Cord Set for dual-ball application with 30' straight cord and 7500-7500 Junction Box
	7690-COIL	Ground Verification Plug & Cord Set for dual-ball application with 30' coiled cord and 7500-7500 Junction Box

\*For use with 8851N or 8811N Monitors

## Bottom-Loading Truck Auto-Switching 2-Wire or 5-Wire Opti/Therm Rack System (Typical Eastern US & Eastern Canada)



Products	Product #	Description
1 RACK MONITOR	8870N	Auto-switching Rack Monitor with Ground Verification up to (8) 2-wire or (12) 5-wire Probes, Keyed Bypass, Multiple Outputs
	7300-7300	Thermistor Plug with 30' 10-conductor coiled cord 4J and 8 contacts
	7390S-0020	7300-7300 Thermistor Plug with 30' coiled cord and 7500-7500 Junction Box
	7100-7100	5-Wire Blue Optic Plug with 30' coiled cord 3J and 6 contacts
	7190S-0020	7100-7100 Optic Plug with 30' coiled cord and 7500-7500 Junction Box
2 PLUG & CORD SETS (Select Thermistor or Optic or both)	7391S-0020	7120-7120 Optic Breakaway Plug with 30' coiled cord and 7540-7540 breakaway Junction Box
	7320-7320	2-Wire Green Thermistor Plug with 30' coiled cord 4J and 8 contacts and 13-pin breakaway plug
	7391S-0020	7320-7320 Thermistor Breakaway Plug with 30' 10 conductor coiled cord, 13-pin breakaway plug and 7510T-7510 Junction Box
	7120-7120	5-Wire Blue Optic Plug with 30' coiled cord 3J and 6 contacts and 7-pin breakaway plug
	7300C-7300	2-Wire Green Thermistor Plug with 30' 10-conductor coiled cord 4J and 10 contacts (Canada only)
3 ACCESSORIES	7454E	Smart Storage Hanger - 4 J-Slots - For use with 8870N Only

## Bottom-Loading 5-Wire Optic Only Rack Systems (Typical Western US & Western Canada)



8851N



7100-7100



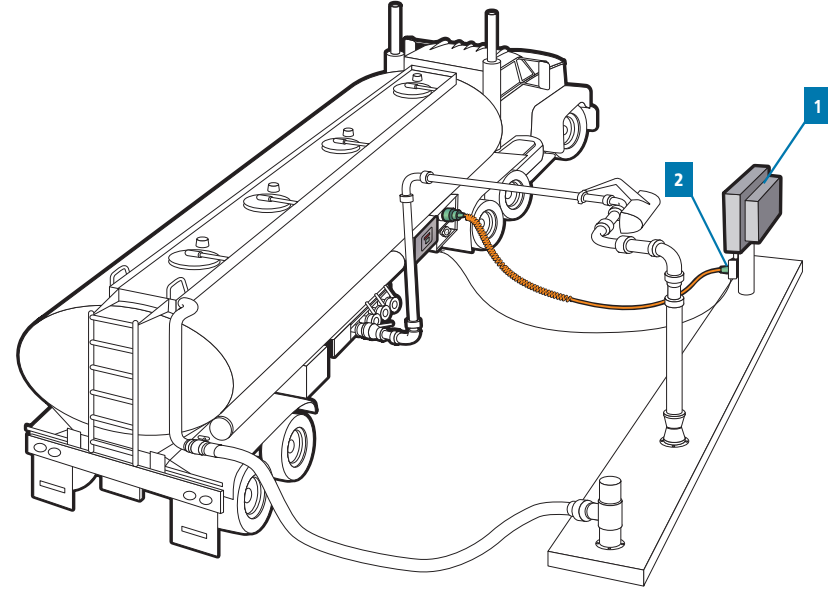
7190S-0020  
and 7560-7560  
Junction Box



7320-7320



7191S-0020



Products	Product #	Description
1 RACK MONITOR	8851N	5-Wire Optic Rack Monitor with Ground Verification, Red/Green Indicator Lights.
	7100-7100	5-Wire Optic Plug with 30' 10-conductor coiled cord 3J and 6 contacts
2 PLUG & CORD SETS	7190S-0020	7100-7100 Optic Plug with 30' coiled cord and 7560-7560 Junction Box
	7320-7320	Thermistor with 30' 10-conductor coiled cord 4J and 8 Contacts and 7-pin breakaway plug
	7191S-0020	7320-7320 Thermistor Breakaway Plug with 30' coiled cord and 7560-7560 breakaway Junction Box

## Bottom-Loading Truck-Optional Ground Connections (Typical Eastern or Western Systems)



7720-7720

7720-COIL

7790-7790

7790-COIL



7620-7620



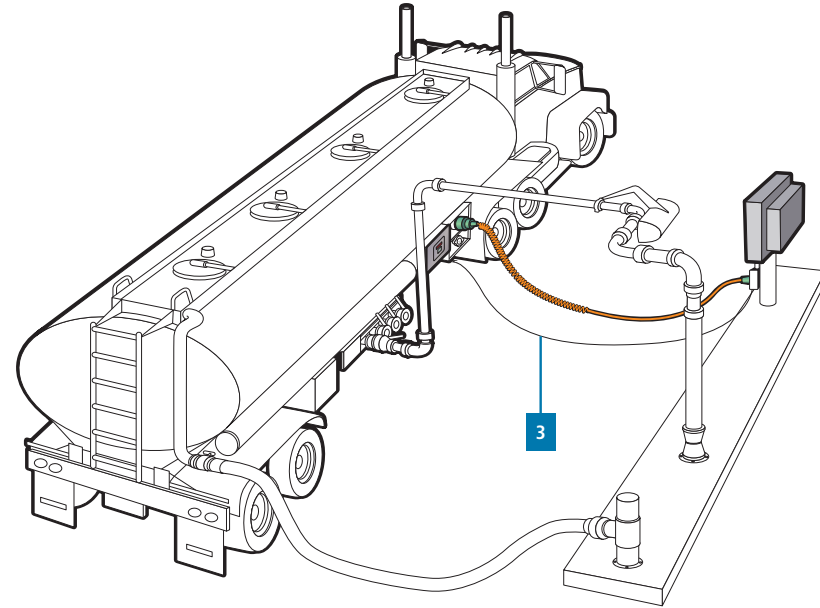
7620-COIL



7690-7690



7690-COIL



Products	Product #	Description
3 GROUNDING CABLES & CLAMP*	7720-7720	Ground Verification Clamp with 40' straight cord
	7720-COIL	Ground Verification Clamp with 30' coiled cord
	7790-7790	Ground Verification Clamp with 40' straight cord and 7500-7500 Junction Box
	7790-COIL	Ground Verification Clamp with 30' coiled cord and 7500-7500 Junction Box
	7620-7620	Ground Verification Plug & Cord Set for dual-ball application with 30' straight cord
	7620-COIL	Ground Verification Plug & Cord Set for dual-ball application with 30' coiled cord
	7690-7690	Ground Verification Plug & Cord Set for dual-ball application with 30' straight cord and 7500-7500 Junction Box
	7690-COIL	Ground Verification Plug & Cord Set for dual-ball application with 30' coiled cord and 7500-7500 Junction Box

\*For use with 8851N or 8811N Monitors



## Junction Boxes & Accessories (Options) for Top and Bottom-Loading Systems



	Products	Product #	Description
4	JUNCTION BOX	7500-7500	Junction Box for Optic, Thermistor, and Ground Verification Plug and Cord Sets (Non-Breakaway)
		7540-7540	Junction Box with 7-pin socket for Cane Probes or Breakaway Optic Plug & Cord Set
		7510T-7110	Junction Box with 13-pin socket or breakaway Thermistor Plug and Cord Set
5	OPTIONS	7350-7350	Optic Plug Hanger
		7150-7150	Optic Plug Hanger
		1386-1386	Opti/Therm Rack Monitor Tester
		7454E	Smart Storage Hanger - 4 J-Slots - For use with 8870N Only

## Ground Verification Only



8811N



7720-7720



7720-COIL



7790-7790



7790-COIL



7620-7620



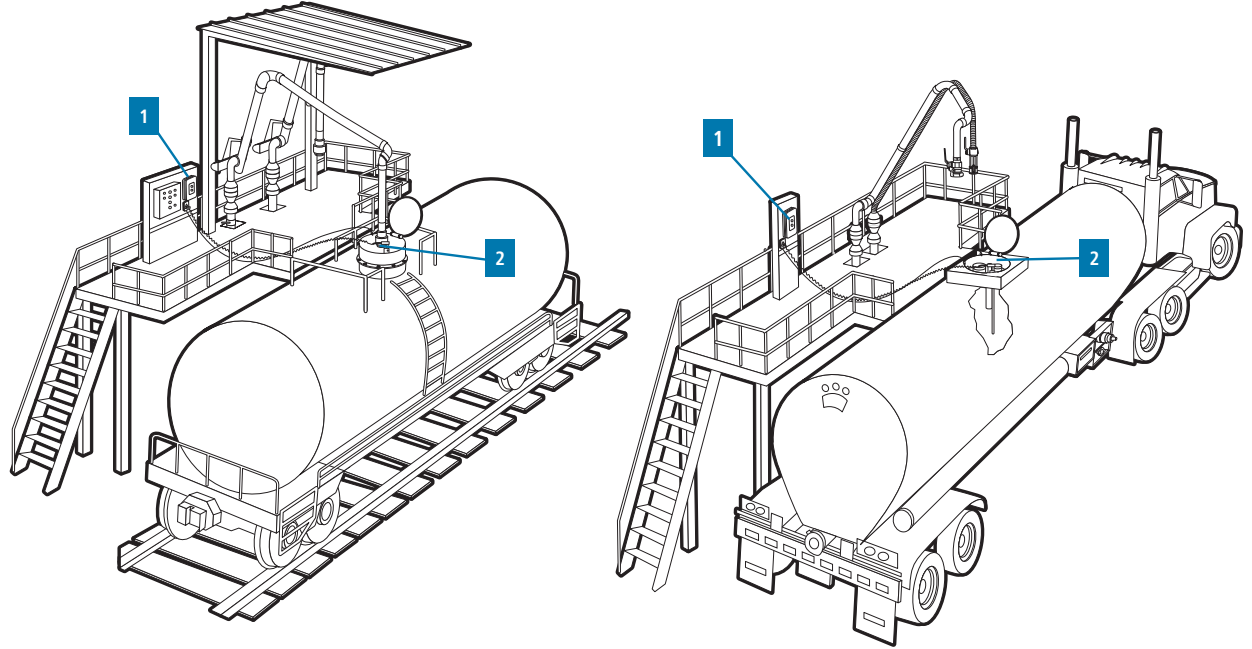
7620-COIL



7690-7690



7690-COIL



Products	Product #	Description	
1	<b>GROUNDING MONITOR</b>	8811N	Ground Monitor, with Red/Green Status Lights
		7720-7720	Ground Verification Clamp with 40' straight cord
		7720-COIL	Ground Verification Clamp with 30' coiled cord
		7790-7790	Ground Verification Clamp with 40' straight cord and 7500-7500 Junction Box
2	<b>GROUNDING CABLE &amp; CLAMPS</b>	7790-COIL	Ground Verification Clamp with 30' coiled cord and 7500-7500 Junction Box
		7620-7620	Ground Verification Plug & Cord Set for dual-ball application with 30' straight cord
		7620-COIL	Ground Verification Plug & Cord Set for dual-ball application with 30' coiled cord
		7690-7690	Ground Verification Plug & Cord Set for dual-ball application with 30' straight cord and 7500-7500 Junction Box
	7690-COIL	Ground Verification Plug & Cord Set for dual-ball application with 30' coiled cord and 7500-7500 Junction Box	