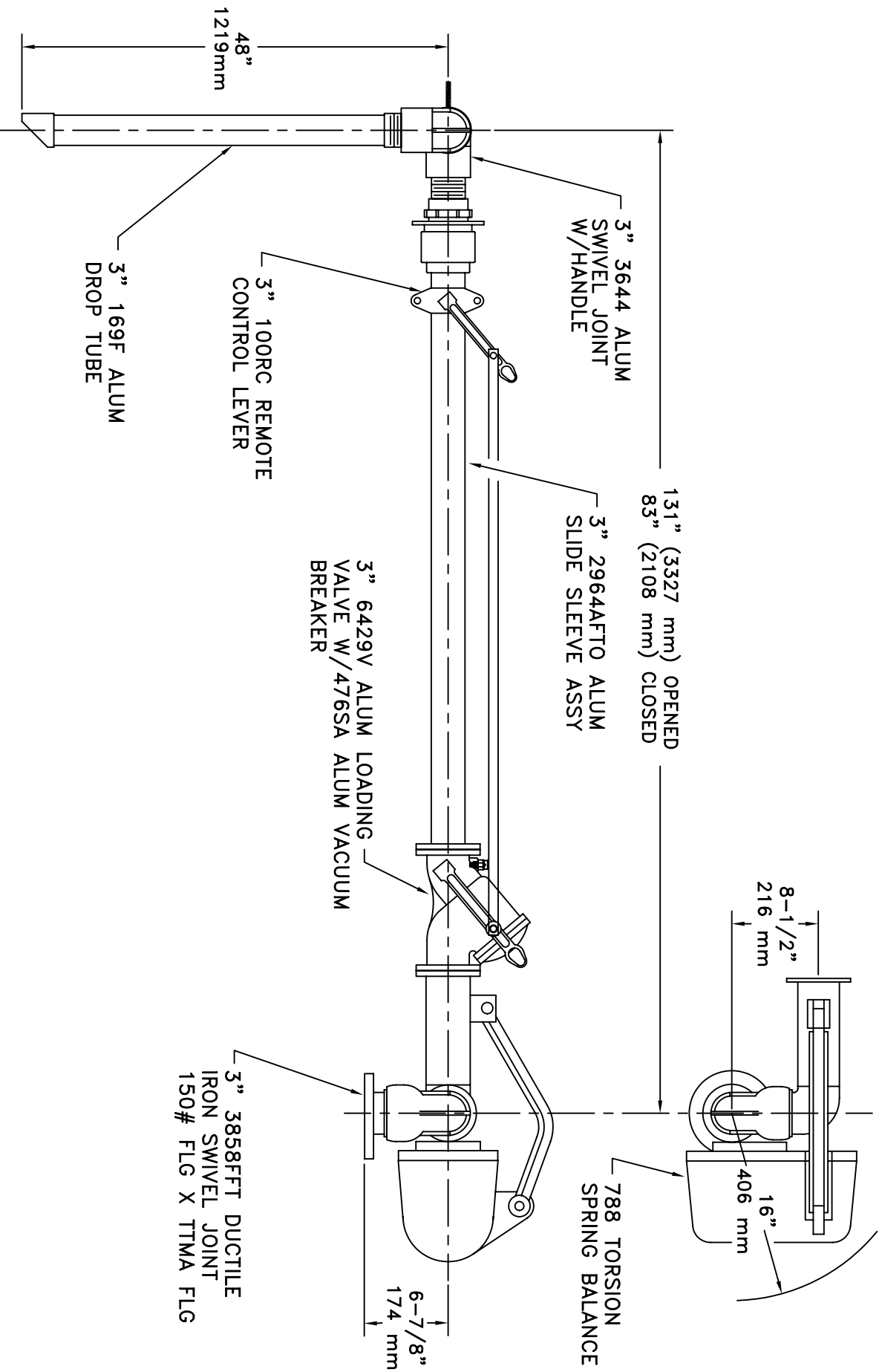


MATERIAL:
DUCTILE IRON / ALUMINUM
VITON

OPW
Engineered Systems

3" OPW A32RF LIQUID LOADER



ARM IS DESIGNED FOR PRODUCT RETENTION TO POINT OF VALVE