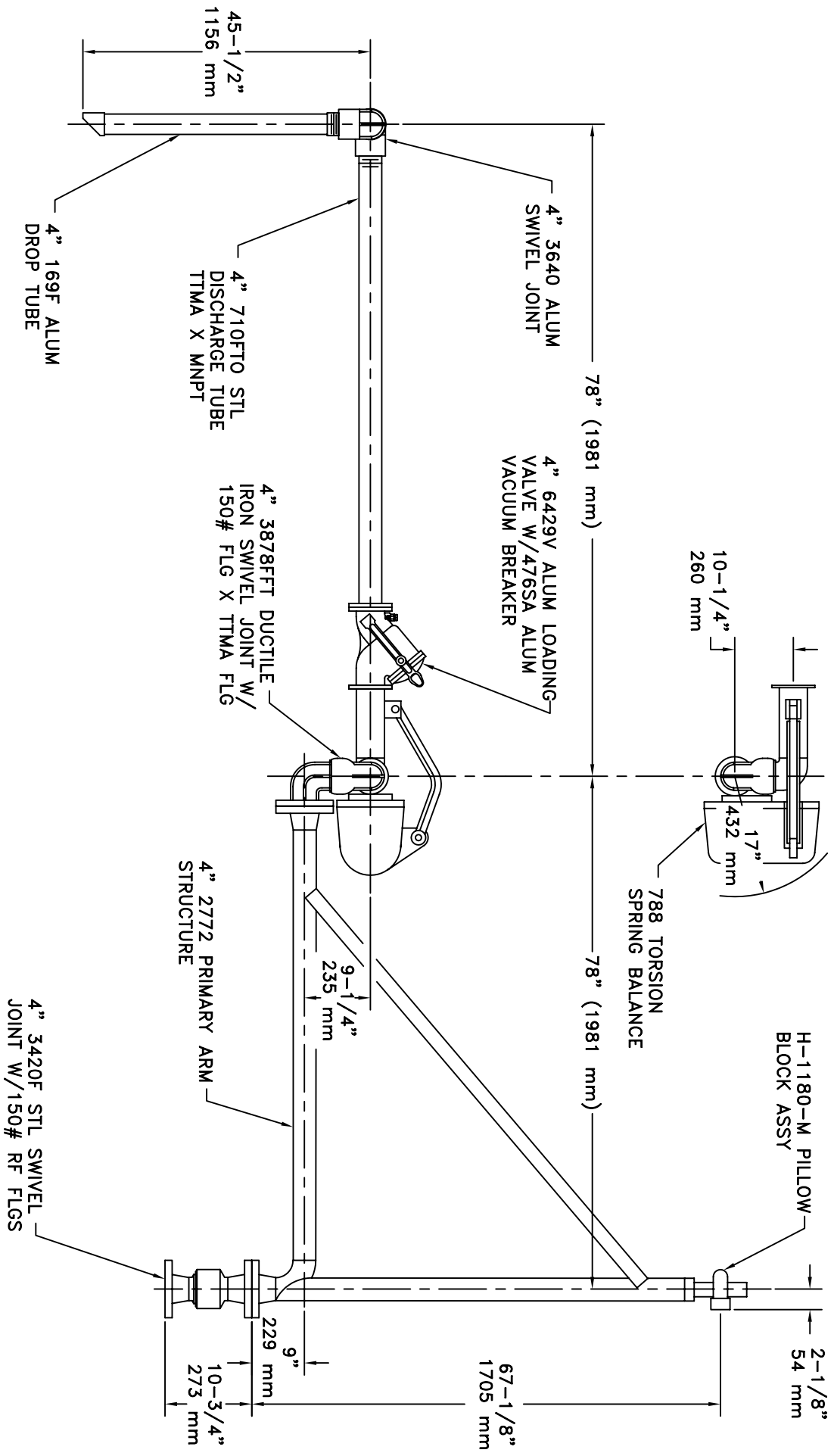


MATERIAL: DUCTILE IRON / STEEL / ALUMINUM  
VITON



### 4" OPW B32F LIQUID LOADER



ARM IS DESIGNED FOR PRODUCT RETENTION TO POINT OF VALVE