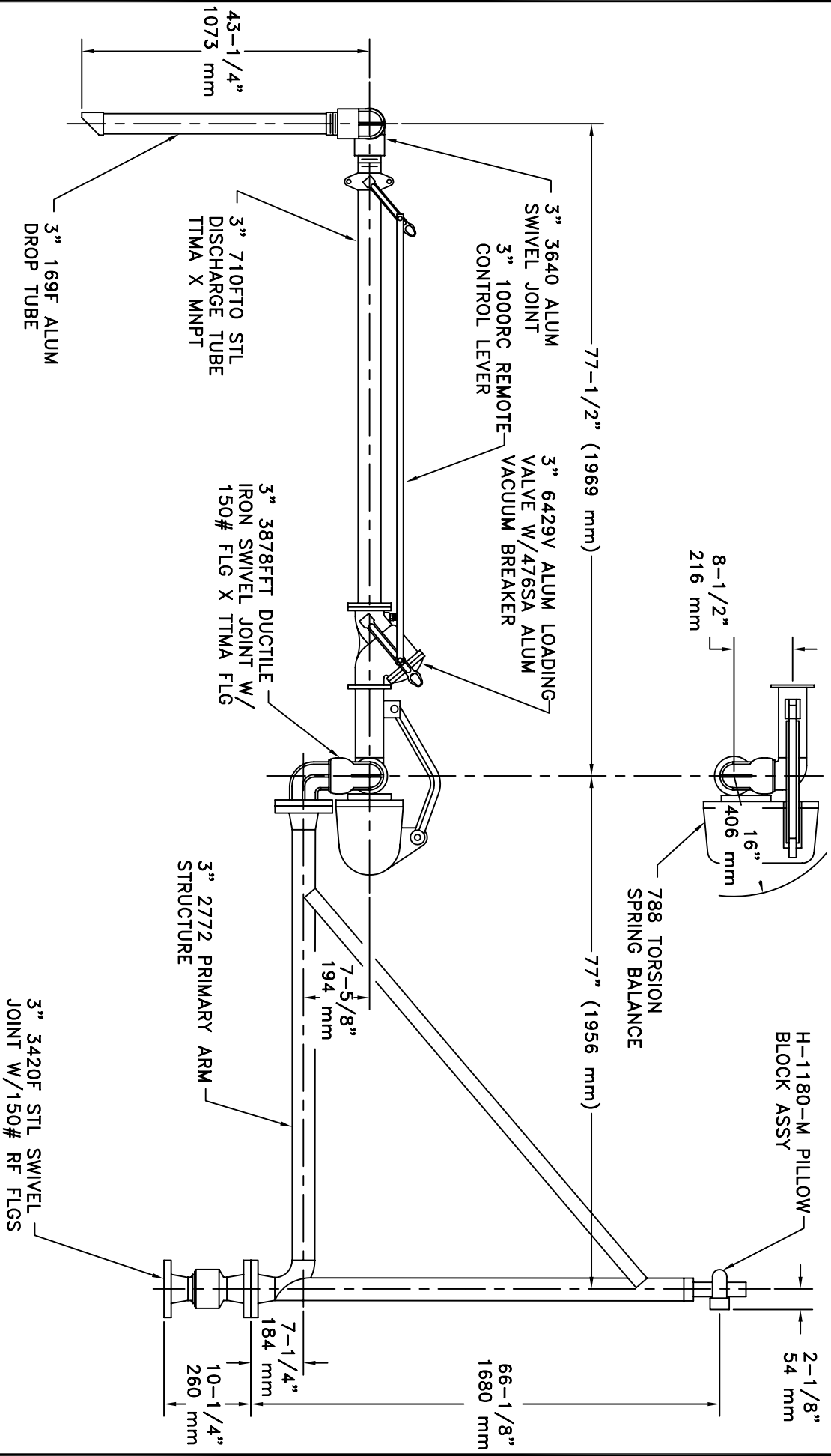


MATERIAL:
 DUCTILE IRON / STEEL / ALUMINUM
 VITON



3" OPW B32RF LIQUID LOADER



ARM IS DESIGNED FOR PRODUCT RETENTION TO POINT OF VALVE