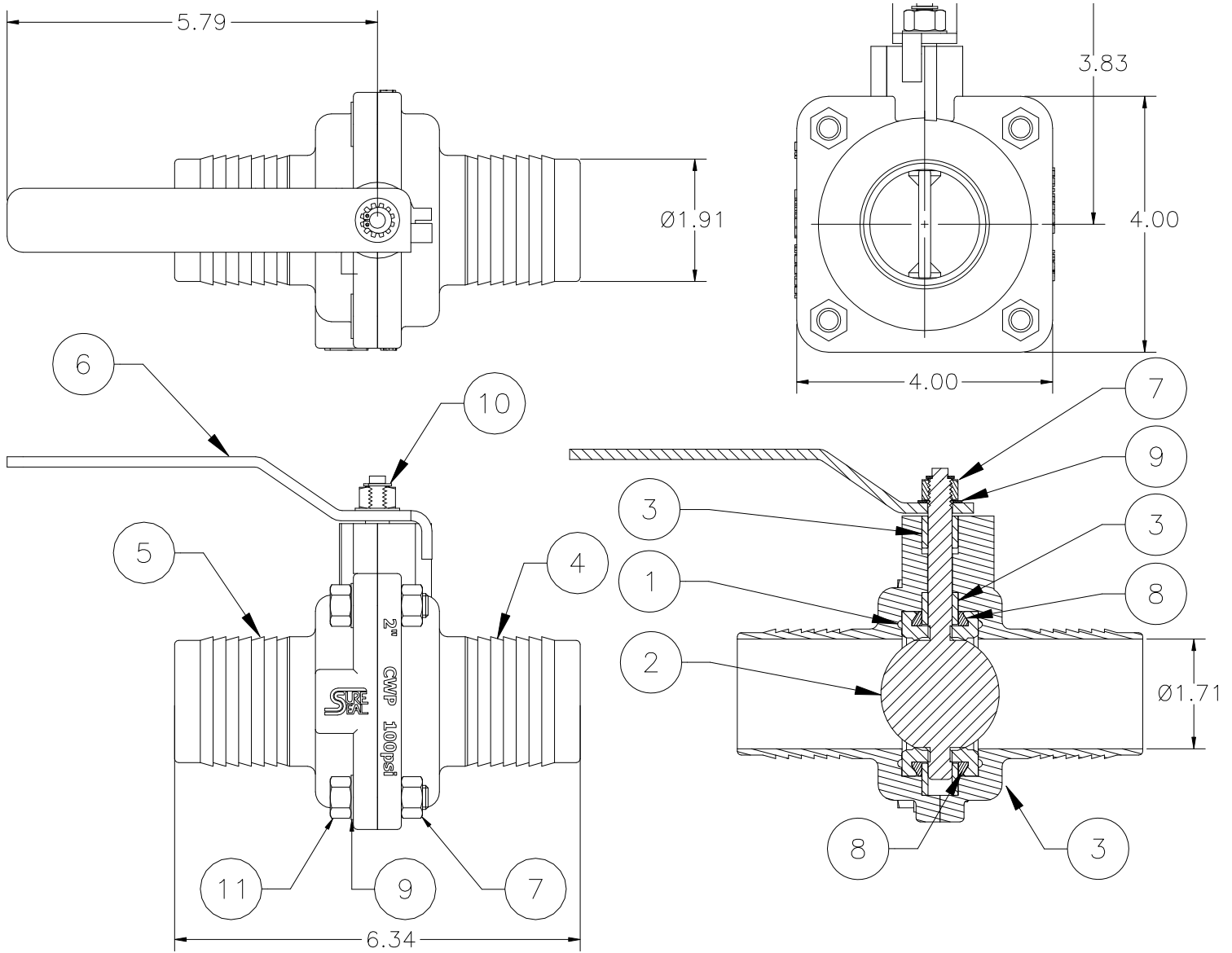


2-ABV-HB-HB Butterfly Valve



ITEM	PART NUMBER	DESCRIPTION	QTY.
1	1.5-899-892561	O-RING	1
2	2-ABV-STM	DISC/STEM	1
3	1-1.5-TB	BUSHING	3
4	2-ABV-BODY-1	BODY	1
5	2-ABV-BODY-2	BODY	1
6	2-ABV-HDL	HANDLE	1

ITEM	PART NUMBER	DESCRIPTION	QTY.
7	1114	NUT 3/8-16	5
8	2-ABV-SEAT RING	SEAT RING	2
9	H52109M	LOCK WASHER	5
10	2-ABV-STEM-RING	STEM RING	1
11	H20518M	SCREW	4
12	12416	RUBBER HANDLE GRIP	1