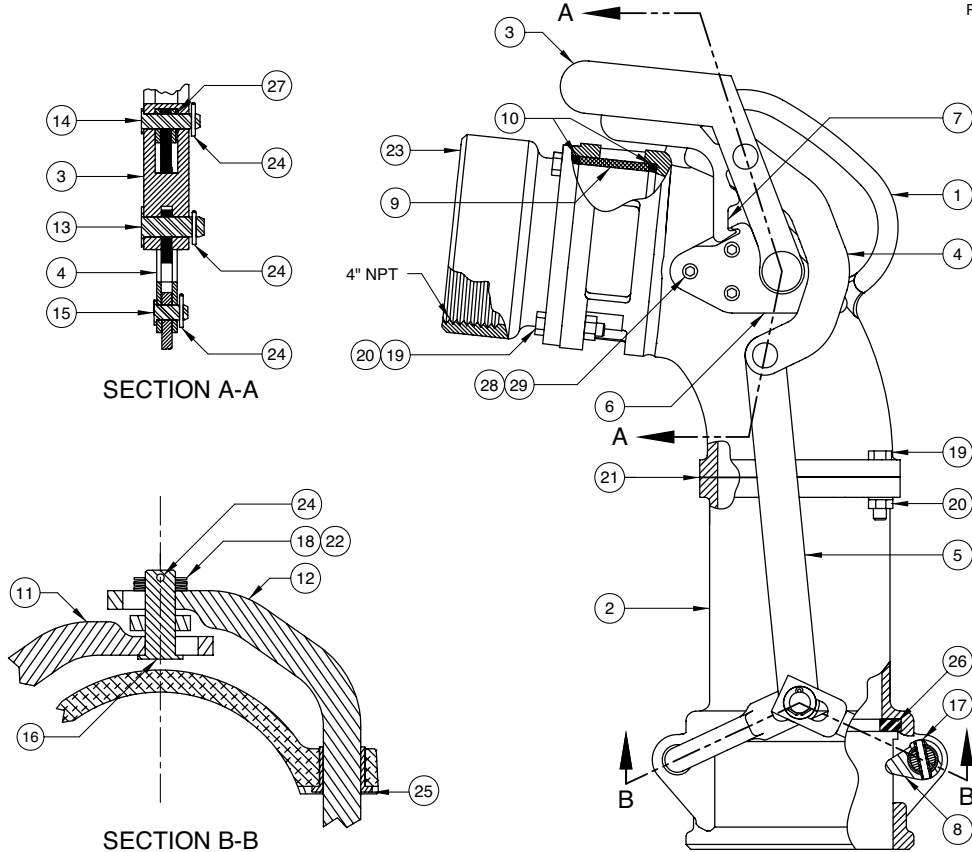




65TTF 4" Product Delivery Elbow

Replacement Parts

Rev. 0, January 2003



ITEM	PART NUMBER	DESCRIPTION	QTY.
1	E52358A	UPPER BODY	1
2	E52357A	LOWER BODY	1
3	E52360A	HANDLE ²	1
4	E52361M	UPPER LINK ⁵	1
5	E52362M	LOWER LINK ⁵	1
6	D52363M	HANDLE BRACKET ⁴	1
7	D52364M	LATCH ²	1
8	C52365B	CAM ³	2
9	C52372M	SIGHT GLASS ¹	1
10	H52373M	GASKET (BUNA) ^{1,6}	2
11	D52374M	DRIVE STEM (LEFT) ⁷	1
12	D52375M	DRIVE STEM (RIGHT) ⁷	1
13	H52380M	PIN (HANDLE) ²	1
14	H52381M	PIN (LATCH) ^{2,5}	1
15	H52382M	PIN (UPPER LINKAGE) ⁵	1
16	H20373M	PIN (LOWER LINKAGE) ^{5,7}	1
17	H20476M	SPRING PIN ³	4
18	H03866M	WASHER (7/16") ^{5,7}	6
19	H03114M	SCREW (HEX CAP) ^{1,6}	8
20	H06151M	HEX NUT ^{1,6}	8

ITEM	PART NUMBER	DESCRIPTION	QTY.
21	H10039M	GASKET (NEOPRENE FIBER)	1
22	H10088M	WASHER (SPRING) ^{5,7}	3
23	D51595A	ADAPTOR (FEMALE) ⁶	1
24	H51787M	COTTER PIN ^{2,5,7}	4
25	H10090M	FLANGE BEARING ⁷	4
26	H04137M	SEAT RING (BUNA)	1
27	4345	WASHER (3/8") ^{2,5}	1
28	H52071M	WASHER (1/4") ⁴	3
29	9163	SCREW (SOCKET) ⁴	3

REPAIR KITS		
PART NUMBER	DESCRIPTION	QTY.
65SGK	SIGHT GLASS REPLACEMENT KIT	N/A
65HRK	HANDLE REPLACEMENT KIT	N/A
65CRK	CAM REPLACEMENT KIT	N/A
65HBK	HANDLE BRKT REPLACEMENT KIT	N/A
65LRK	LINKAGE REPLACEMENT KIT	N/A
65AFK	ADAPTOR REPLACEMENT KIT	N/A
65DSK	DRIVE STEM REPLACEMENT KIT	N/A

1 - Included in 65SGK, 2 - Included in 65HRK, 3 - Included in 65CRK, 4 - Included in 65HBK
5 - Included in 65LRK, 6 - Included in 65AFK, 7 - Included in 65DSK