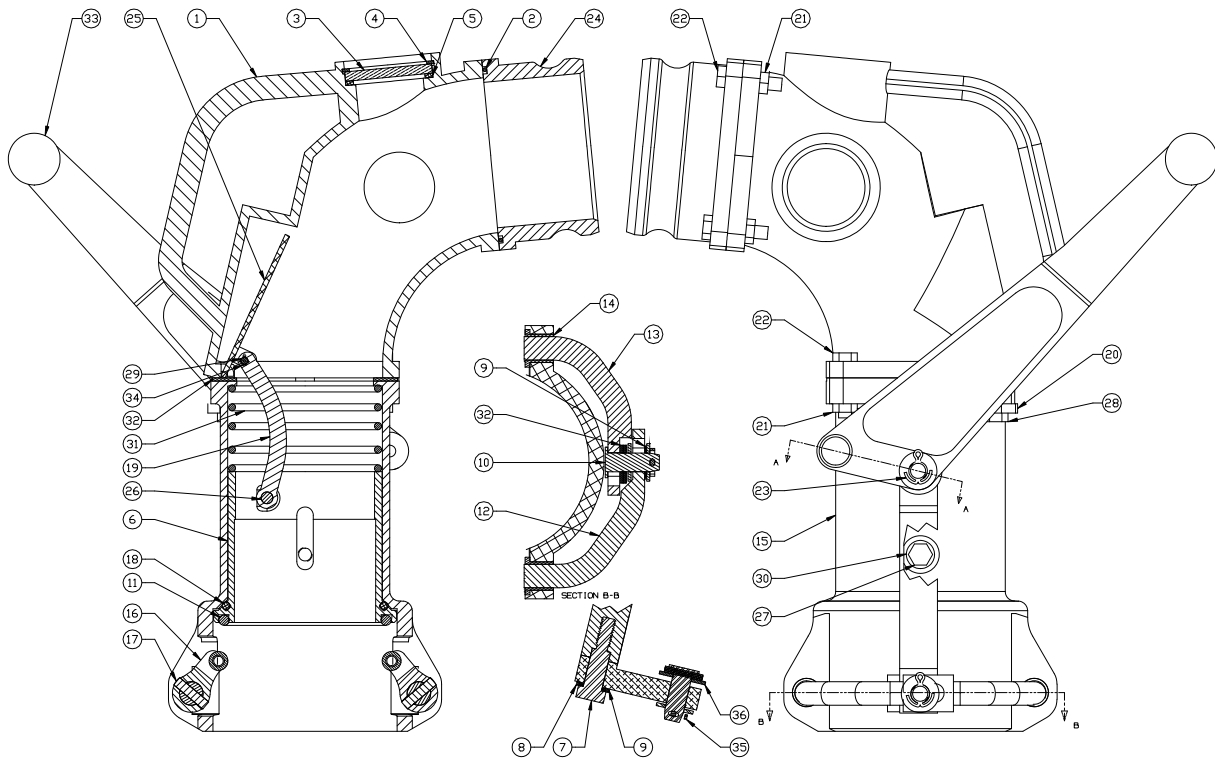




70TTL 4" Shut Off Delivery Elbow

PARTS BREAK DOWN



ITEM	PART NUMBER	DESCRIPTION	QTY.
1	E10235A ¹	UPPER BODY	1
2	H52373M ¹	O-RING BUNA	1
3	H20583M ^{1,3}	SIGHT GLASS	1
4	H20644M ^{1,3}	RETAINING RING	3
5	H20010M ^{1,3}	GASKET (BUNA)	3
6	D10257AH	SLEEVE	1
7	H51427M	SCREW (SHOULDER)	1
8	H03866M	WASHER (FLAT)	6
9	H10088M	WASHER (SPRING)	4
10	H20373M	PIN	2
11	H20735M	O-RING (BUNA)	1
12	C10144M	DRIVE STEM (OUTER)	1
13	C10143M	DRIVE STEM (INNER)	2
14	H10090M	FLANGE BEARING	4
15	E51411A	LOWER BODY	1
16	H20495M	YOKE ASSEMBLY	2
17	H20476M	PIN	2
18	H20842M ²	O-RING (BUNA)	1
19	H20640M ²	LINKAGE	1
20	C10146M	LINKAGE	1

ITEM	PART NUMBER	DESCRIPTION	QTY.
21	H06151M ¹	HEX NUT	8
22	H03114M ¹	SCREW (HEX CAP)	8
23	H51787M	COTTER PIN	2
24	D10231A ¹	ADAPTOR (MALE)	1
25	C10233M ²	FLAP	1
26	H20641M ²	ROD	1
27	H20074M	SEAL WASHER	1
28	H20518M	SCREW (HEX)	1
29	H20704M ²	CLEVIS PIN	1
30	H20710M	BOLT	1
31	H20647M	SPRING	1
32	H20638M ²	GASKET (BUNA)	1
33	C51665M	HANDLE	1
34	H04981M ²	COTTER PIN	1
35	H51519M	SET SCREW	2
36	H51786M ²	E-RING	1
REPAIR KITS			
E10235	UPPER BODY SUBASSEMBLY		
70TTRK	FLAP ASSEMBLY REPL. KIT		
70SGK	SIGHT GLASS REPAIR KIT		