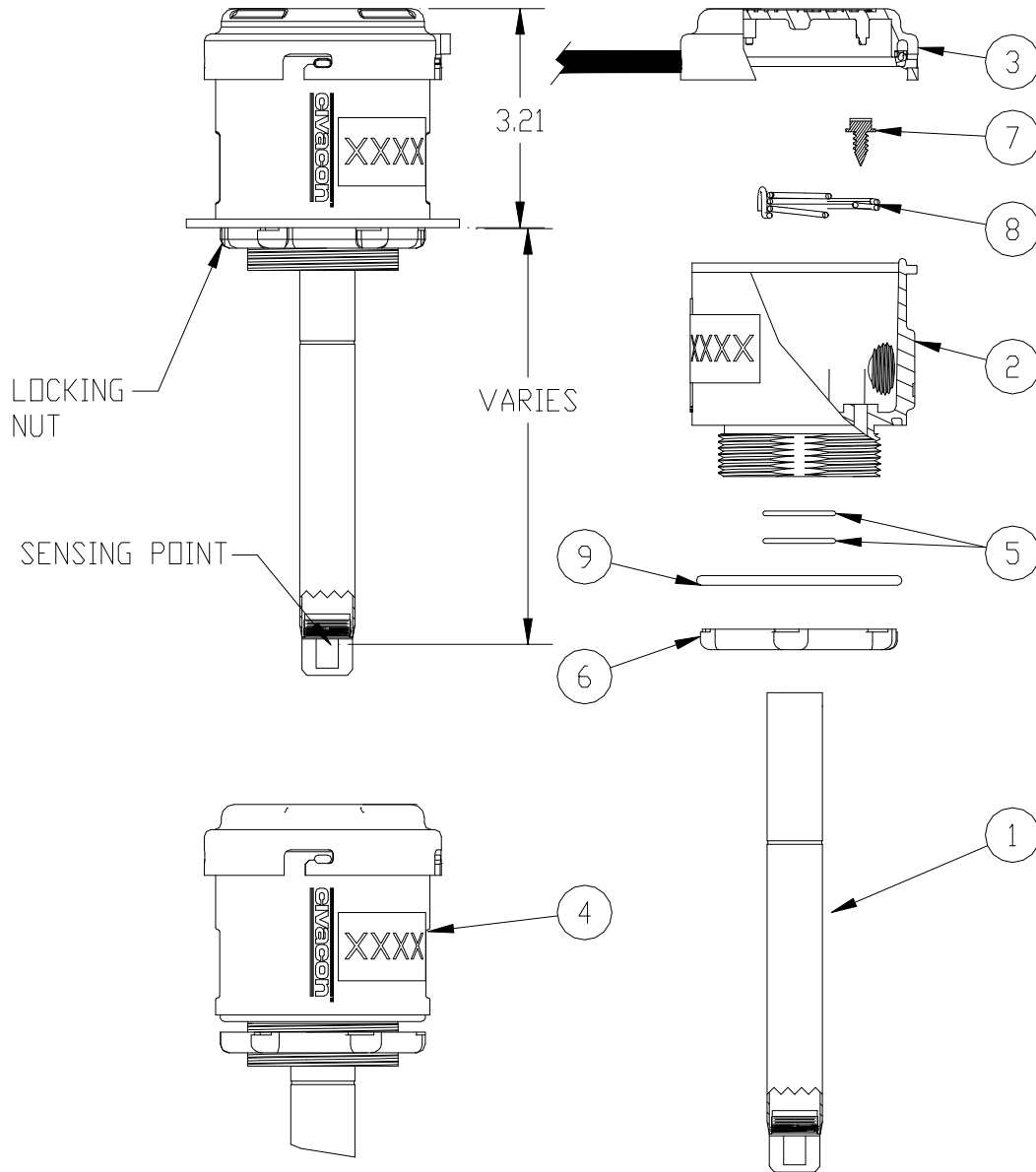




1554 Series Optic Sensor (2-Wire)



PARTS BREAK DOWN

ITEM	PART NUMBER	DESCRIPTION	QTY.
1	STK-XXXB	OVERFILL PROBE TUBE	1
2	H52841	HOUSING BODY	1
3	1356-2W	CAP 2-WIRE OPTIC SENSOR	1
4	H52301M-1554	LABEL	1
5	H52842M	O-RING, BUNA-N	2
6	H52477M	LOCK NUT	1
7	H52898M	SCREW	1

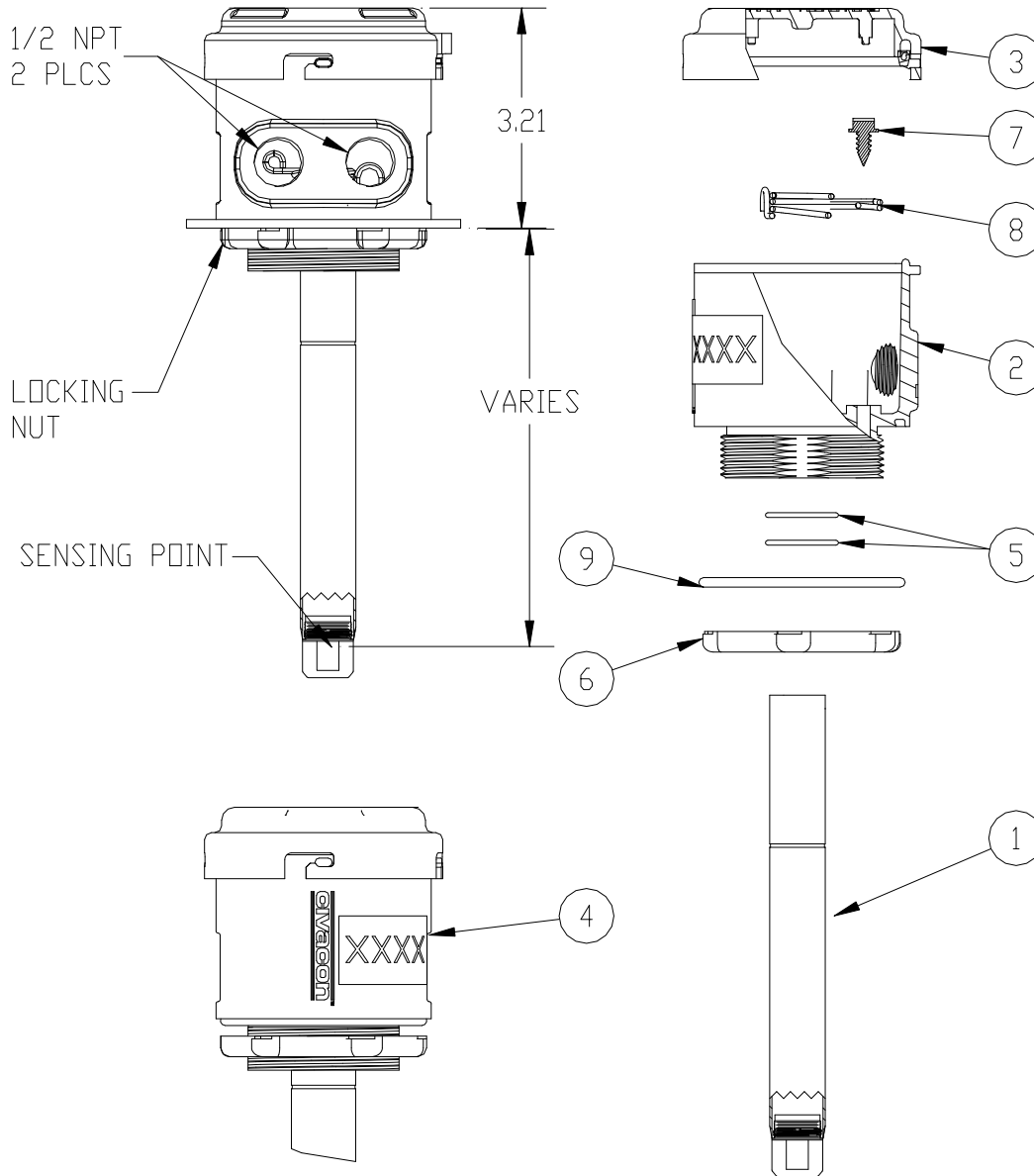
ITEM	PART NUMBER	DESCRIPTION	QTY.
8	H52845M	SPRING	1
9	H52844M	O-RING, VITON	1

REPAIR KITS	
H52841-NPT	HOUSING ASSEMBLY

** ALL ITEMS INCLUDED IN H52841-NPT EXCEPT ITEMS 1, 3, & 4



1110 Series Optic Sensor (5-Wire)



PARTS BREAK DOWN

ITEM	PART NUMBER	DESCRIPTION	QTY.
1	1302-XXXB	OPTIC OVERFILL PROBE	1
2	H52931	HOUSING BODY	1
3	H52936M	CAP W/ U-CUP SEAL	1
4	H52301M-1110	LABEL	1
5	H52842M	O-RING, BUNA-N	2
6	H52477M	LOCK NUT	1
7	H52898M	SCREW	1

ITEM	PART NUMBER	DESCRIPTION	QTY.
8	H52845M	SPRING	1
9	H52844M	O-RING, VITON	1

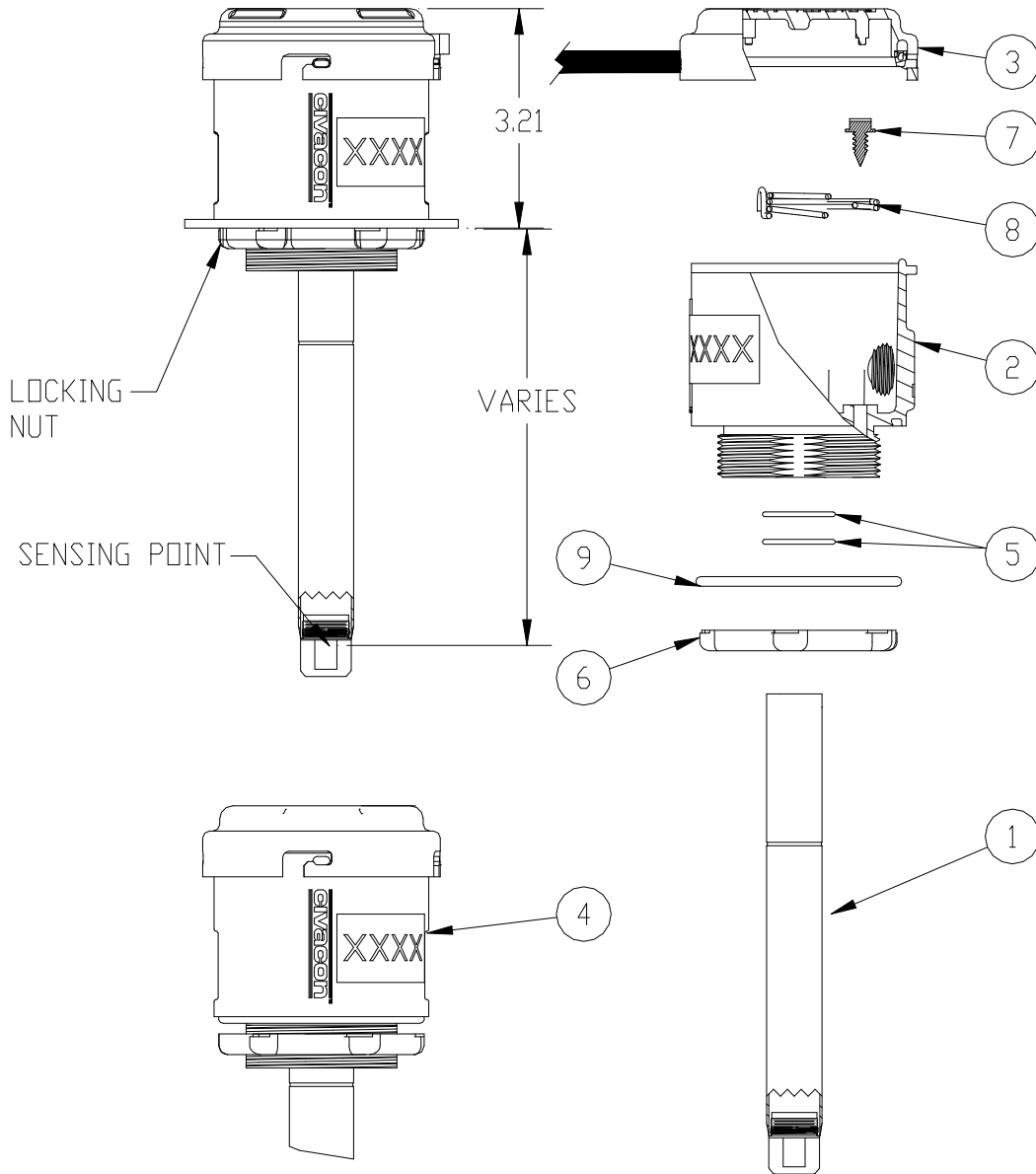
** H50070M PIPE PLUG KIT (not shown)

REPAIR KITS	
1455-1455	Probe Housing & Cap

** ALL ITEMS INCLUDED IN 1455-1455 EXCEPT ITEM 1 & 4



1114 Series Optic Sensor (5-Wire)



PARTS BREAK DOWN

ITEM	PART NUMBER	DESCRIPTION	QTY.
1	STK-XXXB	OVERFILL PROBE TUBE	1
2	H52841	HOUSING BODY	1
3	1356-5W	CAP 2-WIRE OPTIC SENSOR	1
4	H52301M-1114	LABEL	1
5	H52842M	O-RING, BUNA-N	2
6	H52477M	LOCK NUT	1
7	H52898M	SCREW	1

ITEM	PART NUMBER	DESCRIPTION	QTY.
8	H52845M	SPRING	1
9	H52844M	O-RING, VITON	1

REPAIR KITS	
H52841-NPT	HOUSING ASSEMBLY

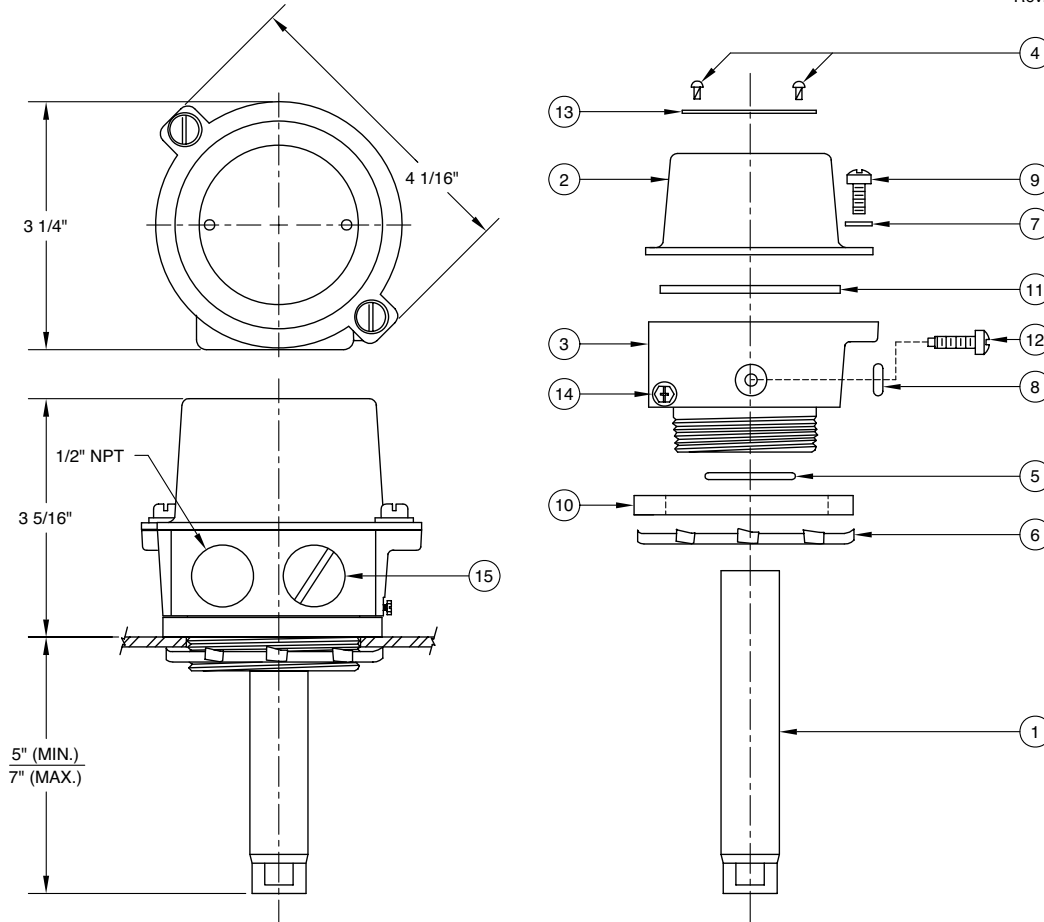
** ALL ITEMS INCLUDED IN H52841-NPT EXCEPT ITEMS 1, 3, & 4



Model #1051-007 ROM Optic Sensor (2-Wire 2" NPT)

Replacement Parts

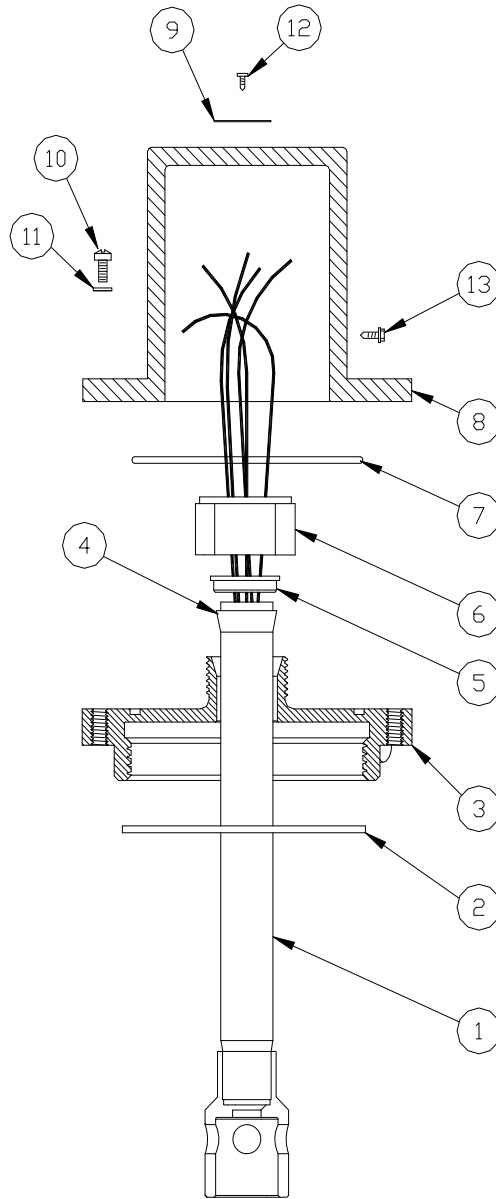
Rev. A, March 2006



ITEM	PART NUMBER	DESCRIPTION	QTY.
1	1351-007	OPTIC SENSOR	1
N/A	1355-1355	PROBE HOUSING (INCLUDES ALL ITEMS EXCEPT ITEMS 1 & 13)	N/A
2	C40030A	UPPER HOUSING CAP	1
3	D40023A	LOWER HOUSING BODY	1
4	H50066M	DRIVE SCREW	2
5	H50080M	O-RING (BODY SENSOR TUBE)	1
6	H50083M	LOCK NUT (2" N.P.T.)	1
7	H50086M	WASHER (1/4" SPLIT, S.S.)	2
8	H50088M	O-RING (PROBE ADJUSTING SCREW)	1
9	H50153M	SCREW (1/4-20 X 1/2 STL, FIL, S.S.)	2
10	H50276M	GASKET (BASE SENSOR)	1
11	H50279M	O-RING (CAP SENSOR)	1
12	H50371M	PROBE ADJ. SET SCREW (1/4-20 X 27/32 STL, FIL, S.S.)	1
13	H50476M	NAME PLATE (1050 SENSOR)	1
14	H50524M	GREEN GROUNDING SCREW (#8-32 X 3/8 CMB, BND, DC)	1
15	H50070M	PIPE PLUG (1/2" N.P.T.)	1



1410RS-0060 5-Wire Chemical Sensor



ITEM	PART NUMBER	DESCRIPTION	QTY.
1	C40188-60	OPTIC SENSOR ASSY.	1
2	H50584M	GASKET	1
3	D40167M	BODY, SENSOR HOUSING	1
4	H50804M	FRONT FERRULE	1
5	H50803M	BACK FERRULE	1
6	H50802M	NUT, 7/8"	1
7	H50585M	O-RING, VITON	1

ITEM	PART NUMBER	DESCRIPTION	QTY.
8	D40076A	CAP, MACHINED	1
9	H50588M	NAMEPLATE	1
10	H50153M	SCREW, 1/4-20 1/2"	4
11	H50086M	LOCK WASHER, 1/4"	4
12	H50066M	DRIVE SCREW, #3 1/8"	2
13	H50524M	SCREW, #8-32 3/8"	1