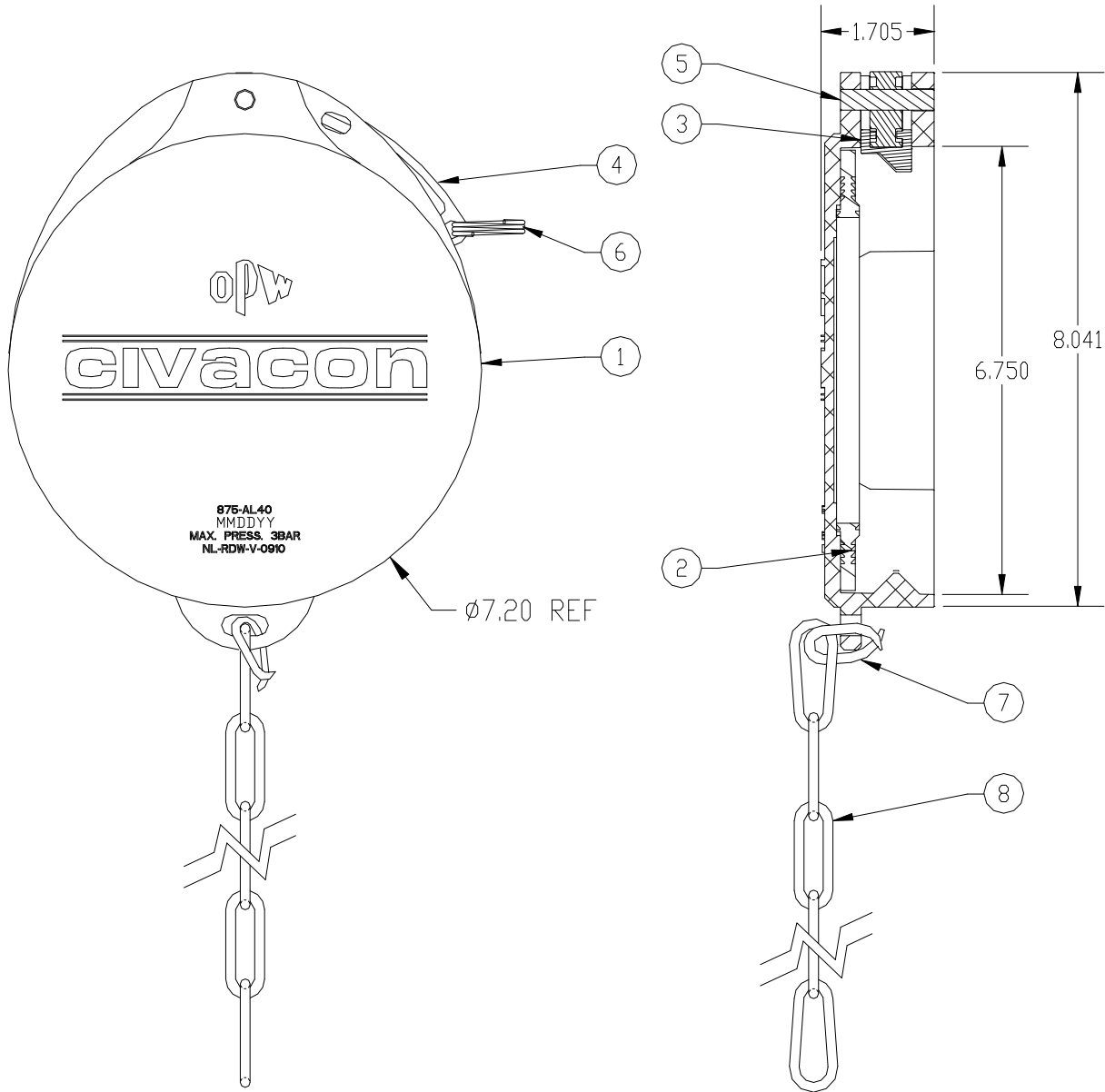




875C Series 4" Dust Cap



PARTS BREAK DOWN

ITEM	PART NUMBER	DESCRIPTION	QTY.
1	H71131	CAP	1
2	10918	GASKET	1
2	10918V ²	GASKET VITON	1
3	H71132 ¹	LOCKING BLOCK	1
4	H71133 ¹	CAM LEVER	1
5	H71149 ¹	CAM PIN	1

ITEM	PART NUMBER	DESCRIPTION	QTY.
6	H20550M ¹	FINGER RING	1
7	H08328M	CONNECTOR RING	1
8	H20325M	CHAIN, ZINC PLATED	1

Also Available with Viton Gasket - 875V

REPAIR KITS	
11474	CAM LEVER REPAIR KIT

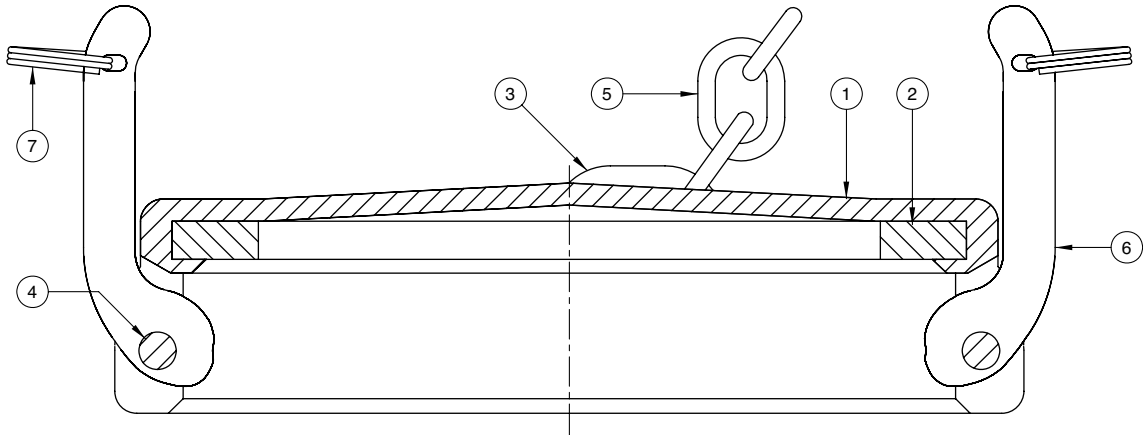
1- Included in 11474 2- Included in 875V



873 4" Dust Cap (aluminum)

Replacement Parts

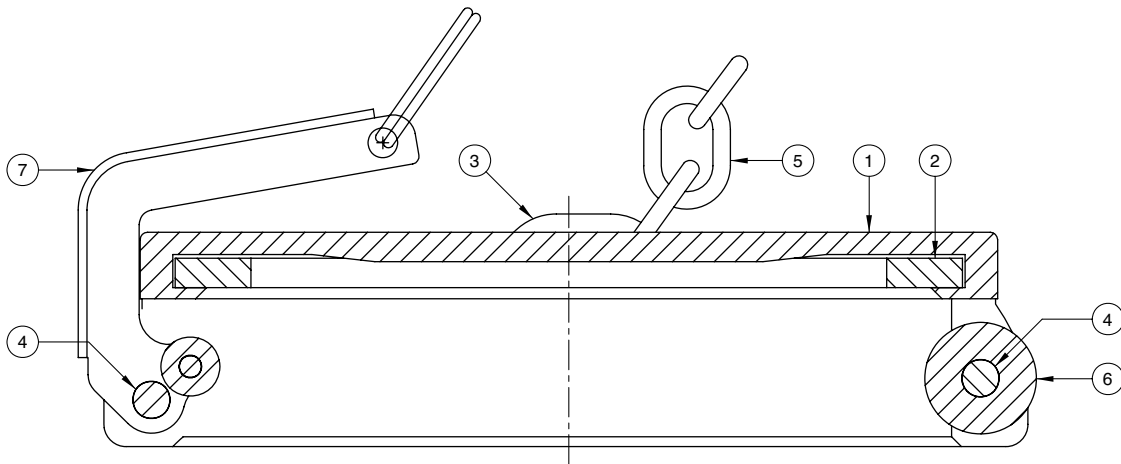
Rev. 0, January 2003



ITEM	PART NUMBER	DESCRIPTION	QTY.
1	SC02614A	CAP (ALUMINUM)	1
2	H08347M	GASKET (BUNA)	1
3	H08328M	CONNECTOR RING	1
4	H20144M	GROOVE PIN	2

ITEM	PART NUMBER	DESCRIPTION	QTY.
5	H20325M	CHAIN	1
6	D10184M	CAM ARM	2
7	H20550M	FINGER RING	2

874 4" Dust Cap (duratuff)

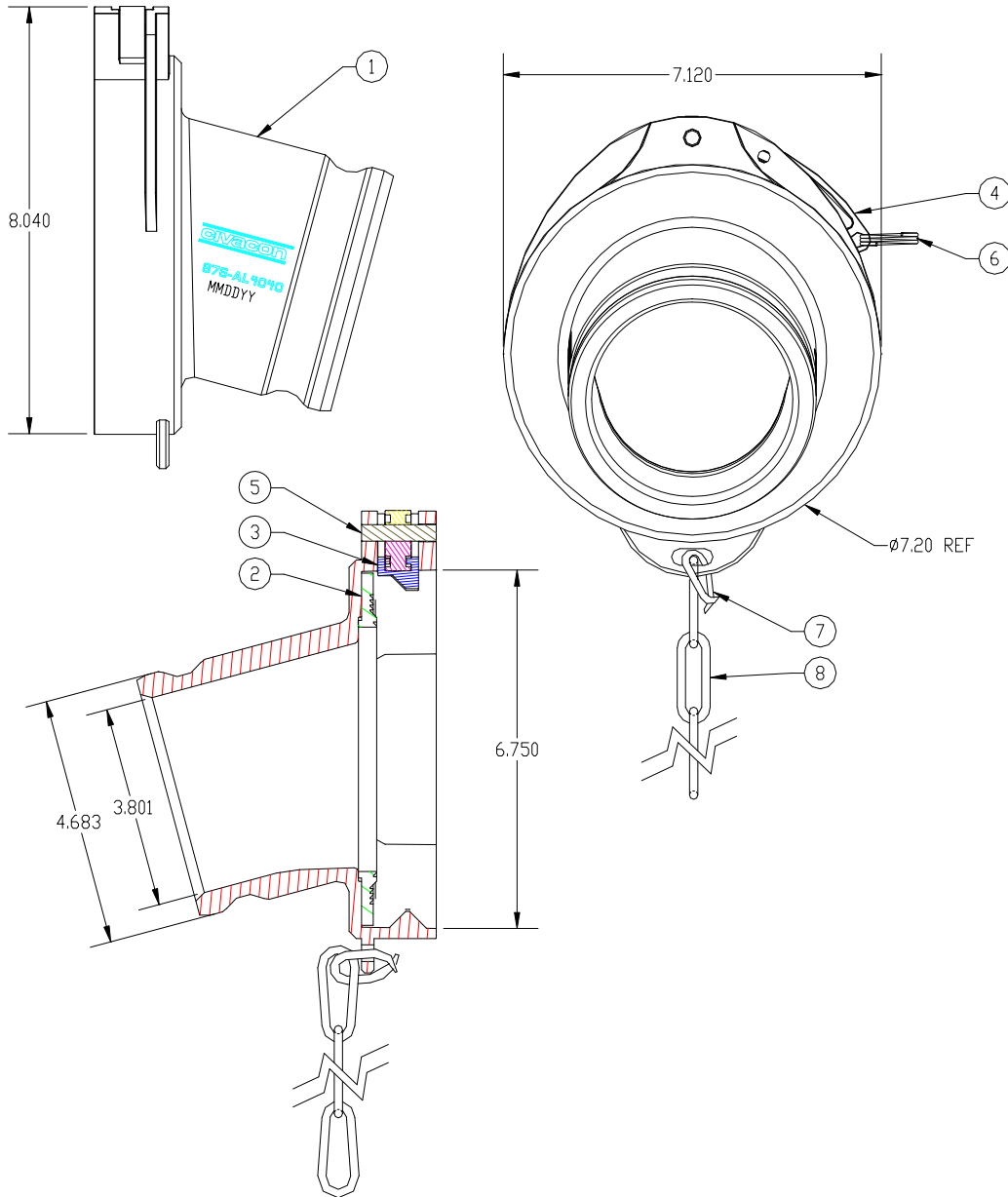


ITEM	PART NUMBER	DESCRIPTION	QTY.
1	D10061P	CAP (DURATUFF)	1
2	H08347M	GASKET (BUNA)	1
3	H08328M	CONNECTOR RING	1
4	H20144M	GROOVE PIN	2

ITEM	PART NUMBER	DESCRIPTION	QTY.
5	H20325M	CHAIN	1
6	H20377M	ROLLER	1
7	H20378	CAM ARM ASSEMBLY	1



876C-AL40 4" Gravity Coupler



PARTS BREAK DOWN

ITEM	PART NUMBER	DESCRIPTION	QTY.
1	11027	BODY, MACHINED	1
2	10918	GASKET, NITRILE	1
2	10918V ²	GASKET, VITON	1
3	H71132 ¹	LOCKING BLOCK	1
4	H71133 ¹	CAM LEVER	1
5	H71149 ¹	CAM PIN	1

ITEM	PART NUMBER	DESCRIPTION	QTY.
6	H20050M ¹	FINGER RING	1
7	H08328M	CONNECTOR RING	1
8	H20325M	CHAIN, ZINC PLATED	1

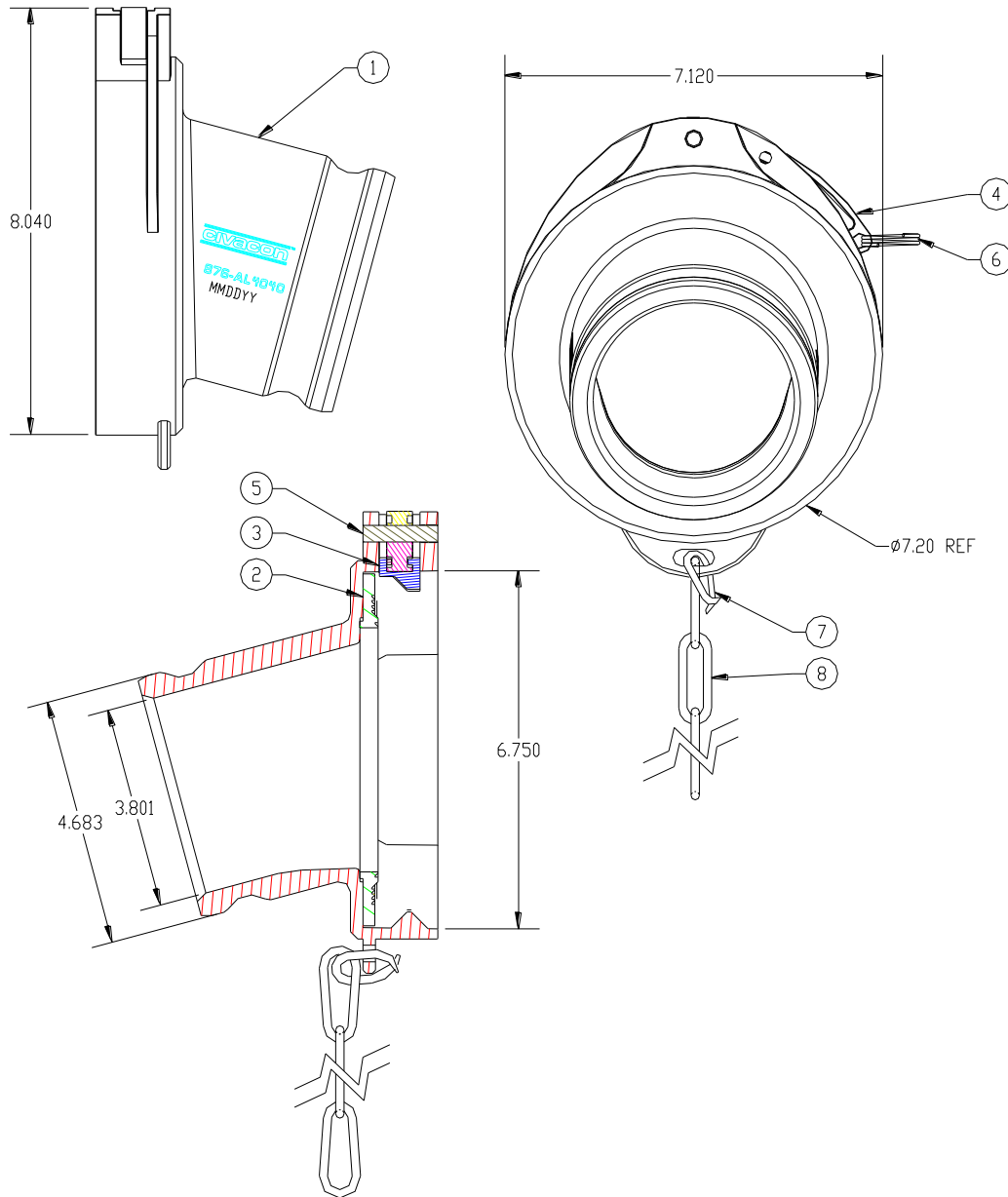
Also Available with Viton Gasket—876CV-AL40

REPAIR KITS	
11474	CAM LEVER REPAIR KIT

1 - Included in 11474, 2 - Included in 876CV-AL40



876CV-AL40 4" Gravity Coupler



PARTS BREAK DOWN

ITEM	PART NUMBER	DESCRIPTION	QTY.
1	11027	BODY, MACHINED	1
2	10918	GASKET, NITRILE	1
2	10918V ²	GASKET, VITON	1
3	H71132 ¹	LOCKING BLOCK	1
4	H71133 ¹	CAM LEVER	1
5	H71149 ¹	CAM PIN	1

ITEM	PART NUMBER	DESCRIPTION	QTY.
6	H20050M ¹	FINGER RING	1
7	H08328M	CONNECTOR RING	1
8	H20325M	CHAIN, ZINC PLATED	1

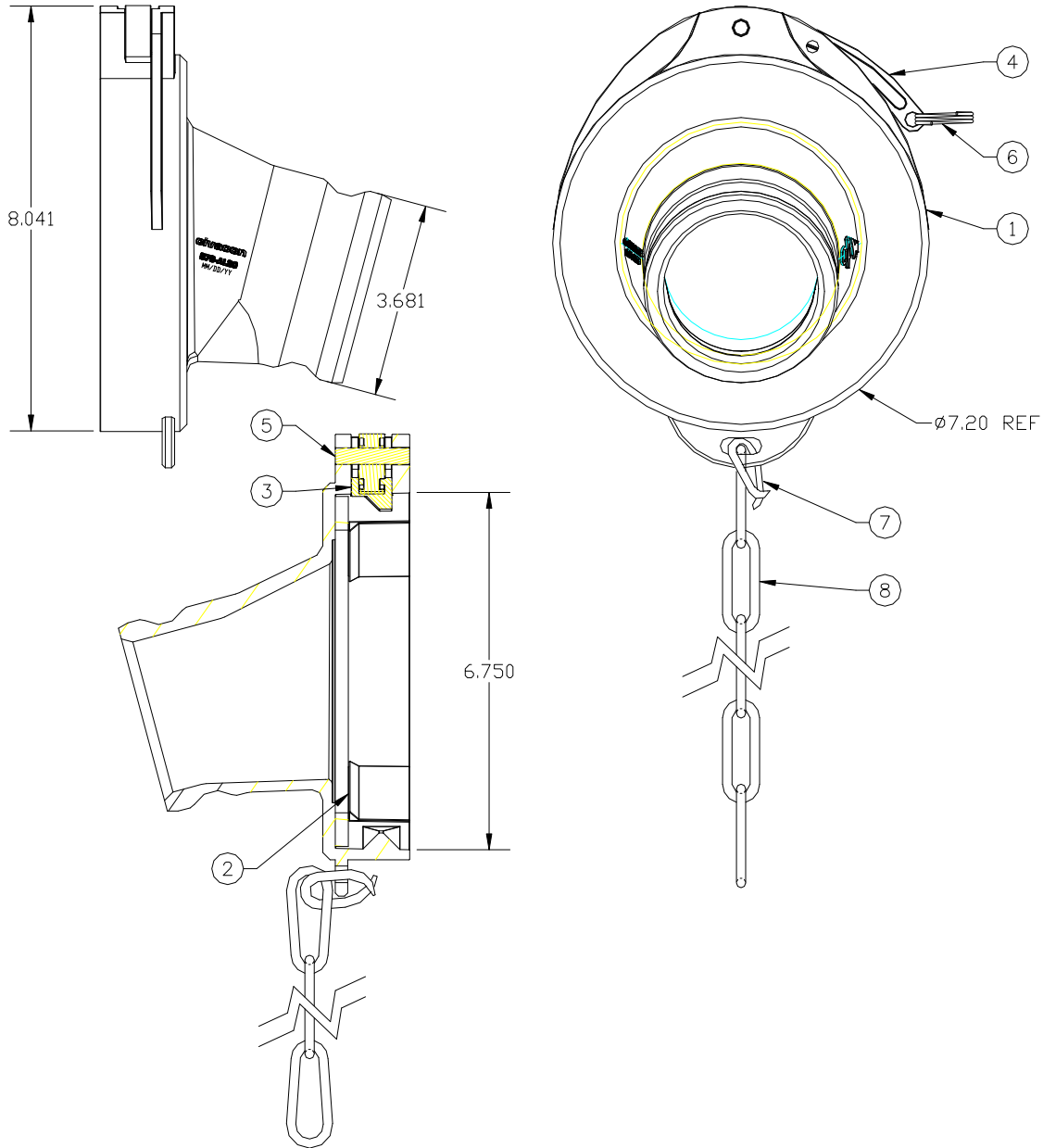
Also Available with Viton Gasket—876CV-AL40

REPAIR KITS	
11474	CAM LEVER REPAIR KIT

1 - Included in 11474, 2 - Included in 876CV-AL40



876C-AL4030 4 x 3 Gravity Coupler



PARTS BREAK DOWN

ITEM	PART NUMBER	DESCRIPTION	QTY.
1	11026	BODY, MACHINED	1
2	10918	GASKET, NITRILE	1
2	10918V ²	GASKET, VITON	1
3	H71132 ¹	LOCKING BLOCK	1
4	H71133 ¹	CAM LEVER	1
5	H71149 ¹	CAM PIN	1

ITEM	PART NUMBER	DESCRIPTION	QTY.
6	H20050M ¹	FINGER RING	1
7	H08328M	CONNECTOR RING	1
8	H20325M	CHAIN, ZINC PLATED	1

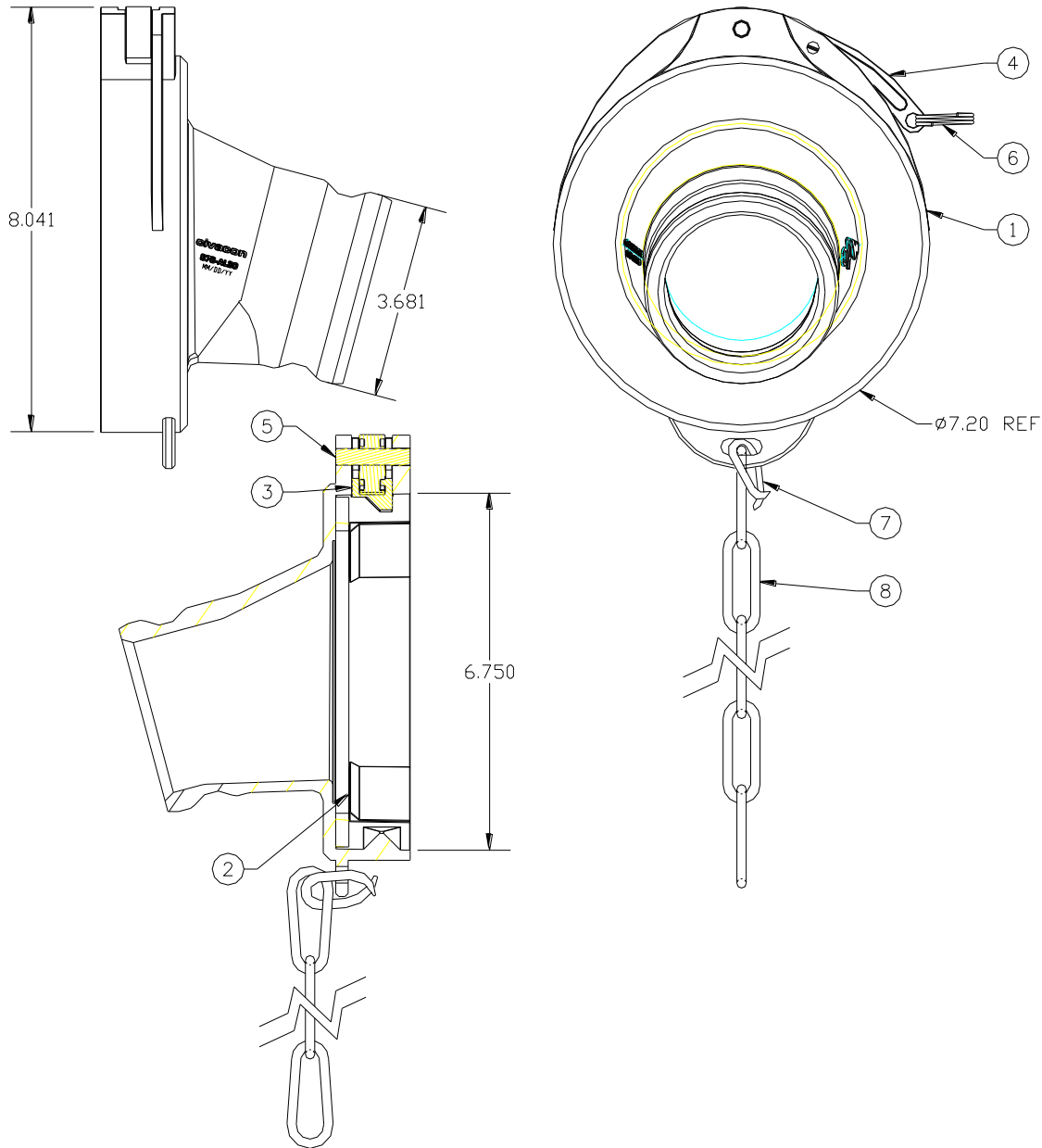
Also Available with Viton Gasket - 876CV-AL4030

REPAIR KITS	
11474	CAM LEVER REPAIR KIT

1 - Included in 11474, 2 - Included in 876CV-AL4030



876CV-AL4030 4 x 3 Gravity Coupler



PARTS BREAK DOWN

ITEM	PART NUMBER	DESCRIPTION	QTY.
1	11026	BODY, MACHINED	1
2	10918	GASKET, NITRILE	1
2	10918V ²	GASKET, VITON	1
3	H71132 ¹	LOCKING BLOCK	1
4	H71133 ¹	CAM LEVER	1
5	H71149 ¹	CAM PIN	1

ITEM	PART NUMBER	DESCRIPTION	QTY.
6	H20050M ¹	FINGER RING	1
7	H08328M	CONNECTOR RING	1
8	H20325M	CHAIN, ZINC PLATED	1

Also Available with Viton Gasket - 876CV-AL4030

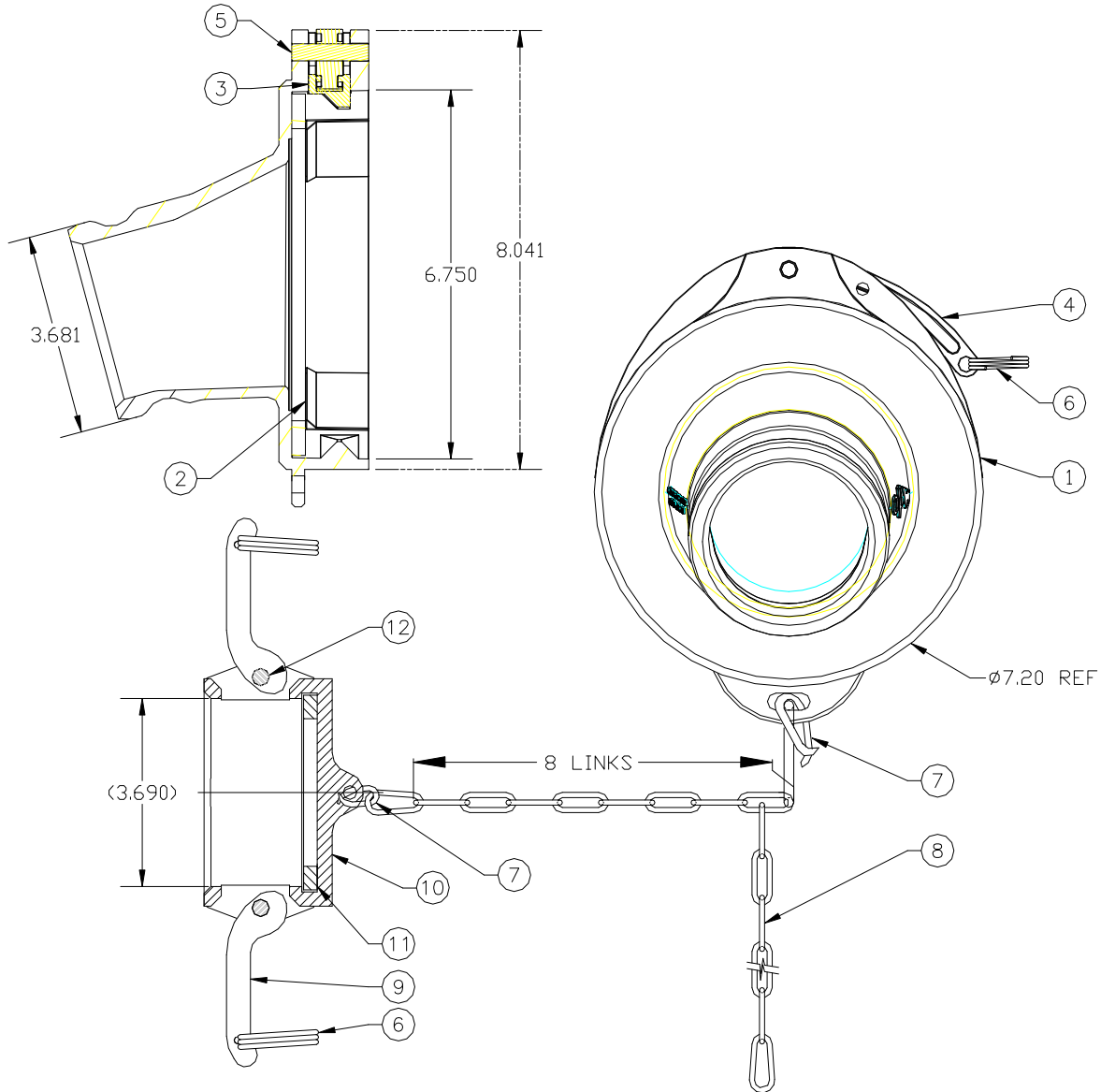
REPAIR KITS	
11474	CAM LEVER REPAIR KIT

1 - Included in 11474, 2 - Included in 876CV-AL4030



876C-W058 4" x 3" Gravity Coupler with Cap

PARTS BREAK DOWN



ITEM	PART NUMBER	DESCRIPTION	QTY.
1	11026	BODY, MACHINED	1
2	10918	GASKET, NITRILE	1
3	H71132 ¹	LOCKING BLOCK	1
4	H71133 ¹	CAM LEVER	1
5	H71149 ¹	CAM PIN	1
6	H20050M ¹	FINGER RING	3
7	H08328M	CONNECTOR RING	2
8	6991	CHAIN, ZINC PLATED	1

ITEM	PART NUMBER	DESCRIPTION	QTY.
9	D10184M	CAM ARM	2
10	C01685B	CAP, MACHINED	1
11	H20546M	GASKET, NITRILE	1
12	H20114M	GROOVE PIN	2

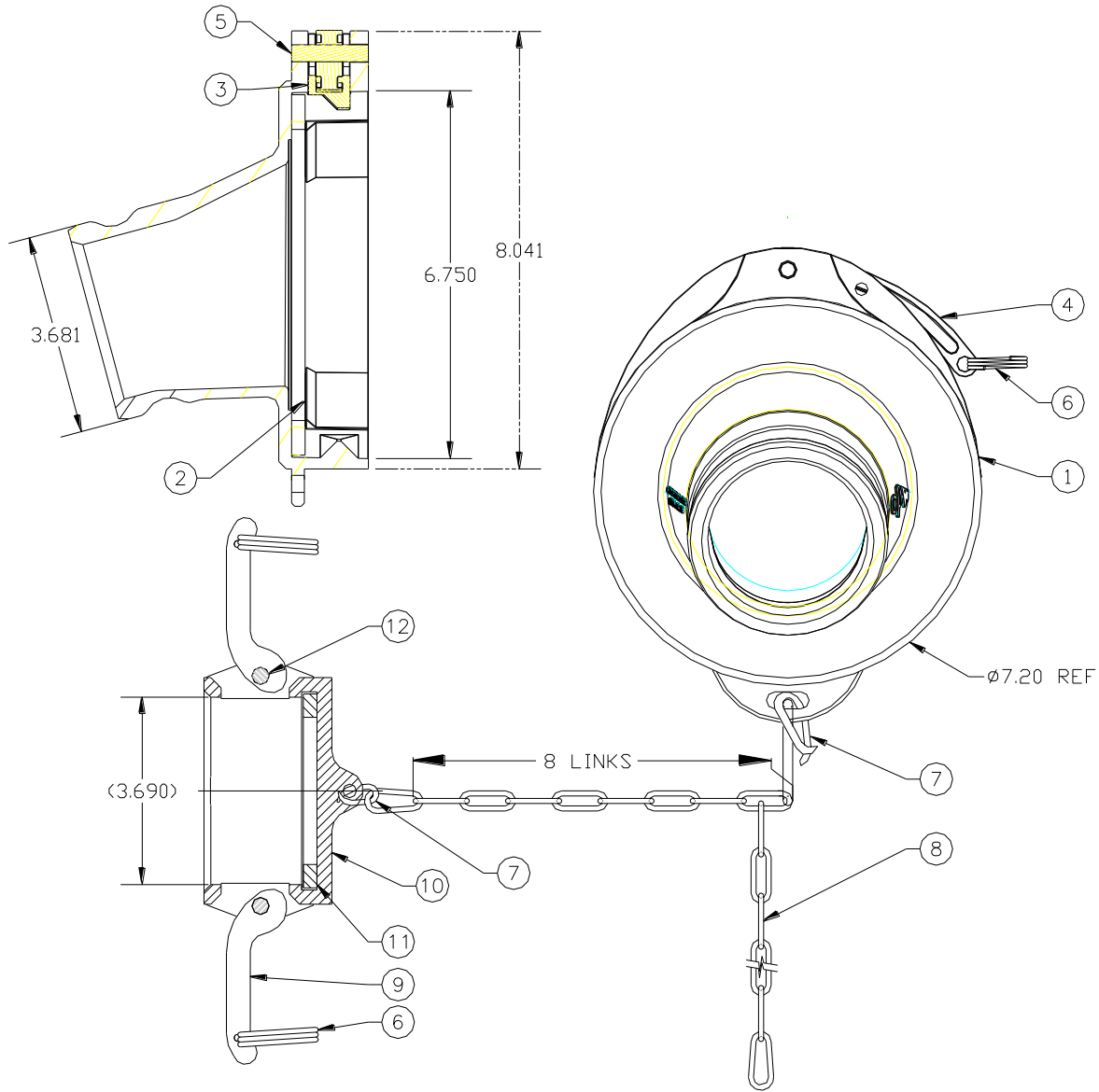
REPAIR KITS	
11474	CAM LEVER REPAIR KIT

¹—Included in 11474



876CV-W058 4" x 3" Gravity Coupler with Cap

PARTS BREAK DOWN



ITEM	PART NUMBER	DESCRIPTION	QTY.
1	11026	BODY, MACHINED	1
2	10918	GASKET, NITRILE	1
2	10918V ²	GASKET, VITON	1
3	H71132 ¹	LOCKING BLOCK	1
4	H71133 ¹	CAM LEVER	1
5	H71149 ¹	CAM PIN	1
6	H20050M ¹	FINGER RING	3
7	H08328M	CONNECTOR RING	2

ITEM	PART NUMBER	DESCRIPTION	QTY.
8	6991	CHAIN, ZINC PLATED	1
9	D10184M	CAM ARM	2
10	C01685B	CAP, MACHINED	1
11	H20546M	GASKET, NITRILE	1
12	H20114M	GROOVE PIN	2

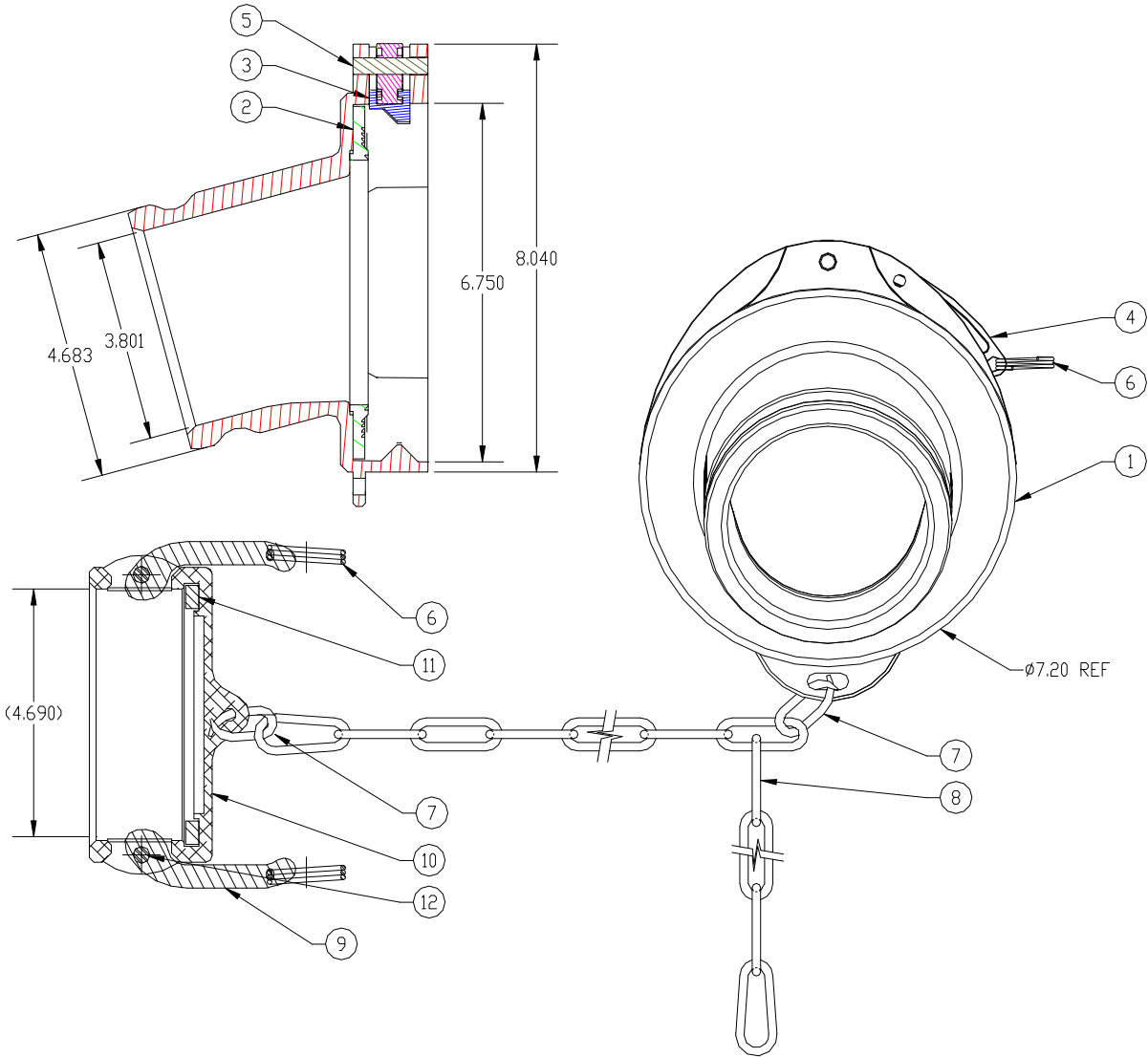
REPAIR KITS	
11474	CAM LEVER REPAIR KIT

1—Included in 11474 2—included in 876CV-W058



876C-W059 4" Gravity Coupler with Cap

PARTS BREAK DOWN



ITEM	PART NUMBER	DESCRIPTION	QTY.
1	11027	BODY, MACHINED	1
2	10918	GASKET, NITRILE	1
2	10918V ²	GASKET, VITON	1
3	H71132 ¹	LOCKING BLOCK	1
4	H71133 ¹	CAM LEVER	1
5	H71149 ¹	CAM PIN	1
6	H20050M ¹	FINGER RING	3
7	H08328M	CONNECTOR RING	2
8	6991	CHAIN, ZINC PLATED	1

ITEM	PART NUMBER	DESCRIPTION	QTY.
9	D10184M	CAM ARM	2
10	C01863A	CAP, MACHINED	1
11	H20547M	GASKET, NITRILE	1
11	H00976M ²	GASKET, VITON	1
12	H20114M	GROOVE PIN	2

Also Available with Viton Gaskets - 876CV-W059

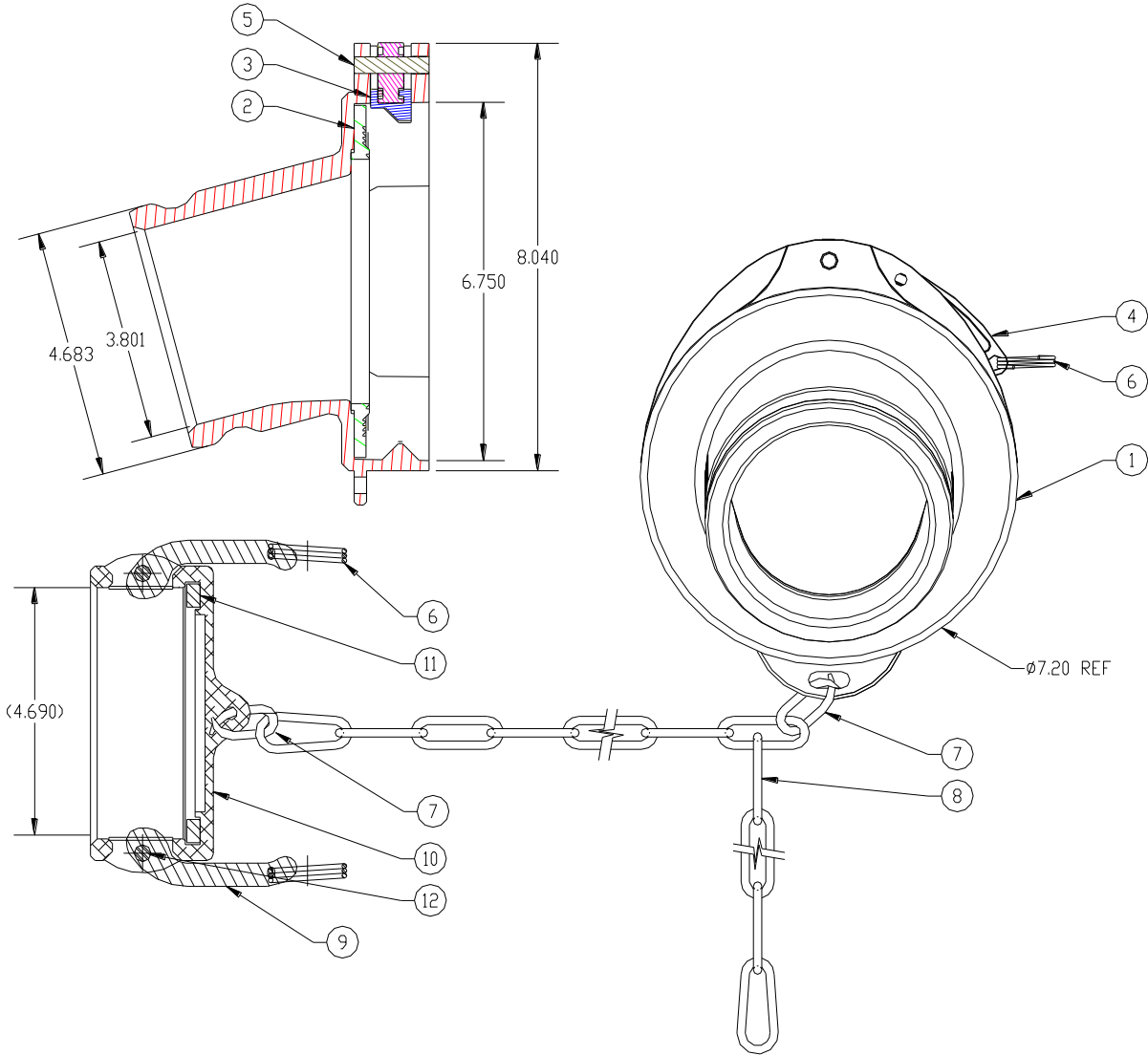
REPAIR KITS	
11474	CAM LEVER REPAIR KIT

1 - Included in 11474, 2 - Included in 876CV-W059



876CV-W059 4" Gravity Coupler with Cap

PARTS BREAK DOWN



ITEM	PART NUMBER	DESCRIPTION	QTY.
1	11027	BODY, MACHINED	1
2	10918	GASKET, NITRILE	1
2	10918V ²	GASKET, VITON	1
3	H71132 ¹	LOCKING BLOCK	1
4	H71133 ¹	CAM LEVER	1
5	H71149 ¹	CAM PIN	1
6	H20050M ¹	FINGER RING	3
7	H08328M	CONNECTOR RING	2
8	6991	CHAIN, ZINC PLATED	1

ITEM	PART NUMBER	DESCRIPTION	QTY.
9	D10184M	CAM ARM	2
10	C01863A	CAP, MACHINED	1
11	H20547M	GASKET, NITRILE	1
11	H00976M ²	GASKET, VITON	1
12	H20114M	GROOVE PIN	2

Also Available with Viton Gaskets - 876CV-W059

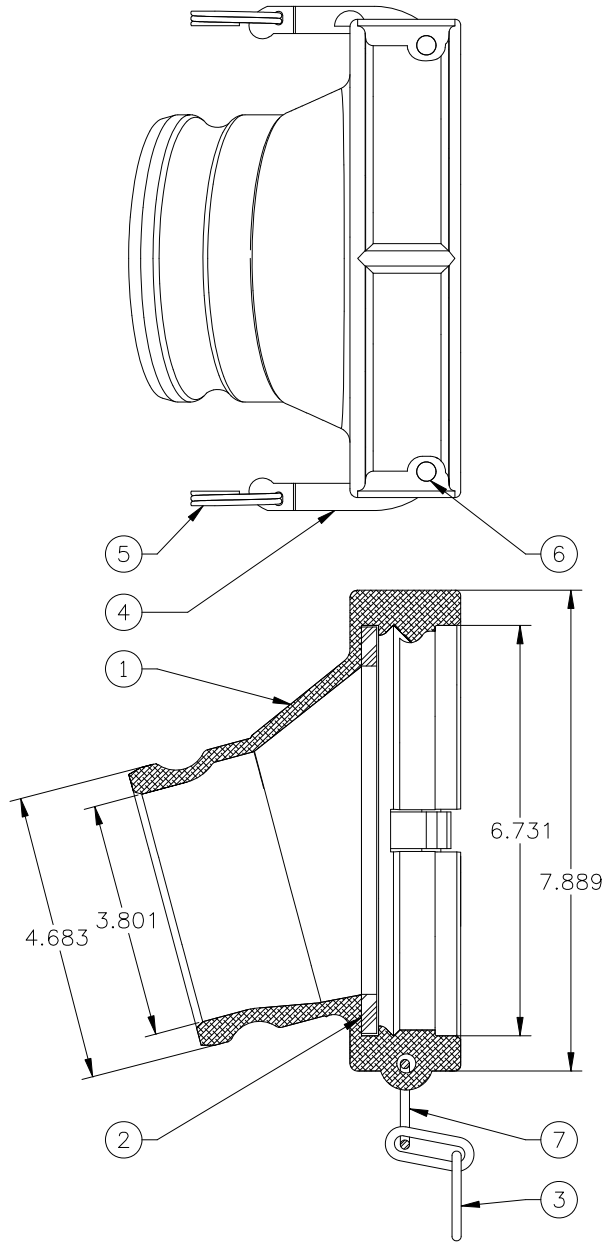
REPAIR KITS	
11474	CAM LEVER REPAIR KIT

1 - Included in 11474, 2 - Included in 876CV-W059



871A-AL40 4" Gravity Coupler

PARTS BREAK DOWN



ITEM	PART NUMBER	DESCRIPTION	QTY.
1	E00221A	BODY, MACHINED	1
2	H08347M	GASKET, NITRILE	1
2	H20462M ²	GASKET, VITON	1
3	H20325M	CHAIN, ZINC PLATED	1
4	D10184M ¹	CAM ARM	2
5	H20550M ¹	FINGER RING	2

ITEM	PART NUMBER	DESCRIPTION	QTY.
6	H20144M ¹	GROOVE PIN	2
7	H08328M	CONNECTOR RING	1

Also Available with Viton Gasket—871A-AL40A-V

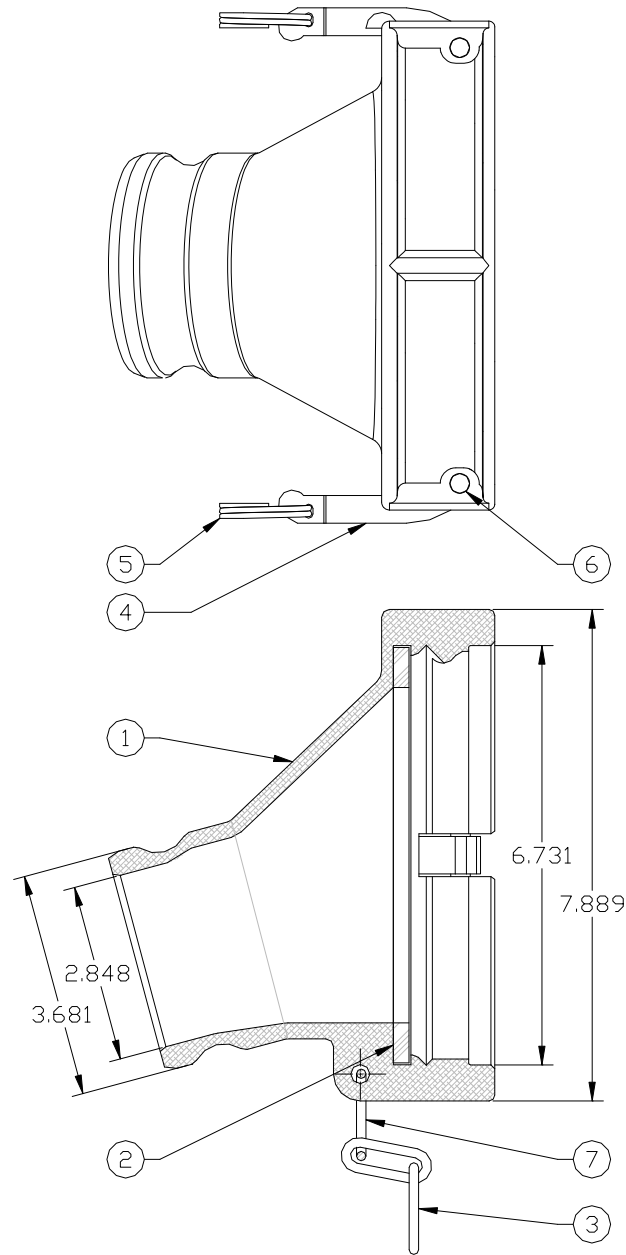
REPAIR KITS	
871-ARM KIT	CAM LEVER REPAIR KIT

1 - Included in 871-ARM KIT, 2 - Included in 871A-AL40A-V



871A-AL4030 4" x 3" Gravity Coupler

PARTS BREAK DOWN



ITEM	PART NUMBER	DESCRIPTION	QTY.
1	E10086A	BODY, MACHINED	1
2	H08347M	GASKET, NITRILE	1
2	H20462M	GASKET, VITON	1
3	H20325M	CHAIN, ZINC PLATED	1
4	D10184M ¹	CAM ARM	2
5	H20550M ¹	FINGER RING	2

ITEM	PART NUMBER	DESCRIPTION	QTY.
6	H20144M ¹	GROOVE PIN	2
7	H08328M	CONNECTOR RING	1

REPAIR KITS	
871-ARM KIT	CAM LEVER REPAIR KIT

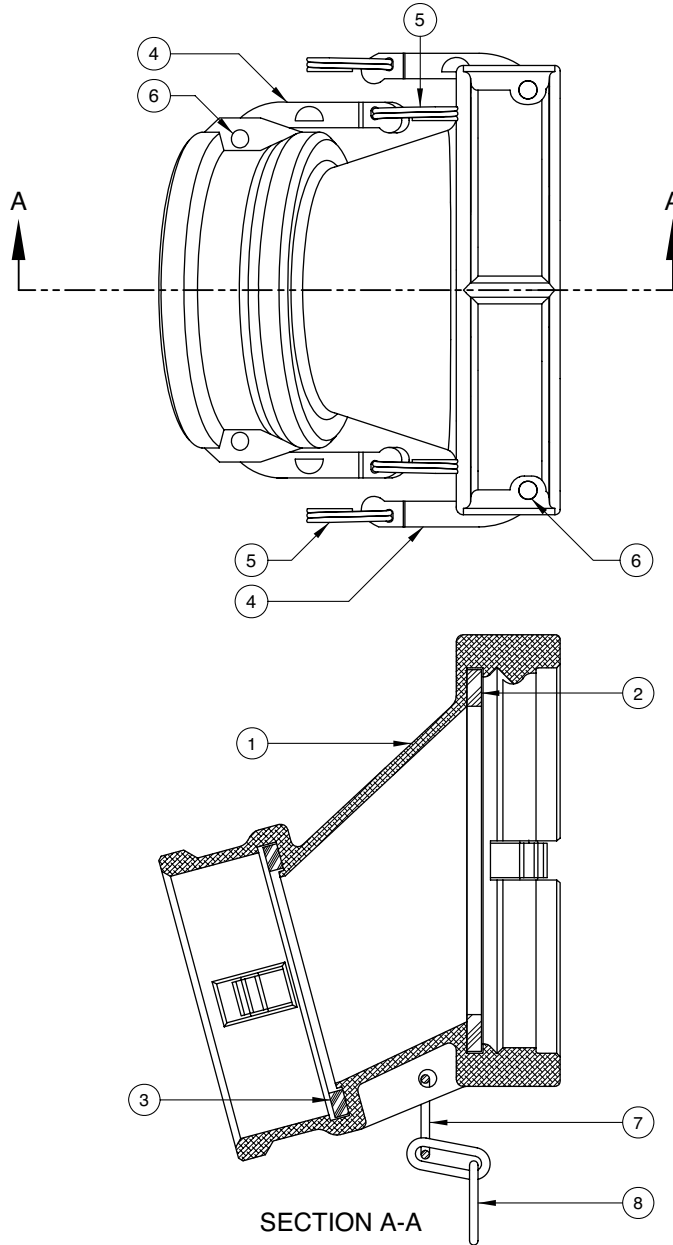
¹ - Included in 871-ARM KIT



871B-AL40 4" Gravity Coupler

Replacement Parts

Rev. 0, January 2003



SECTION A-A

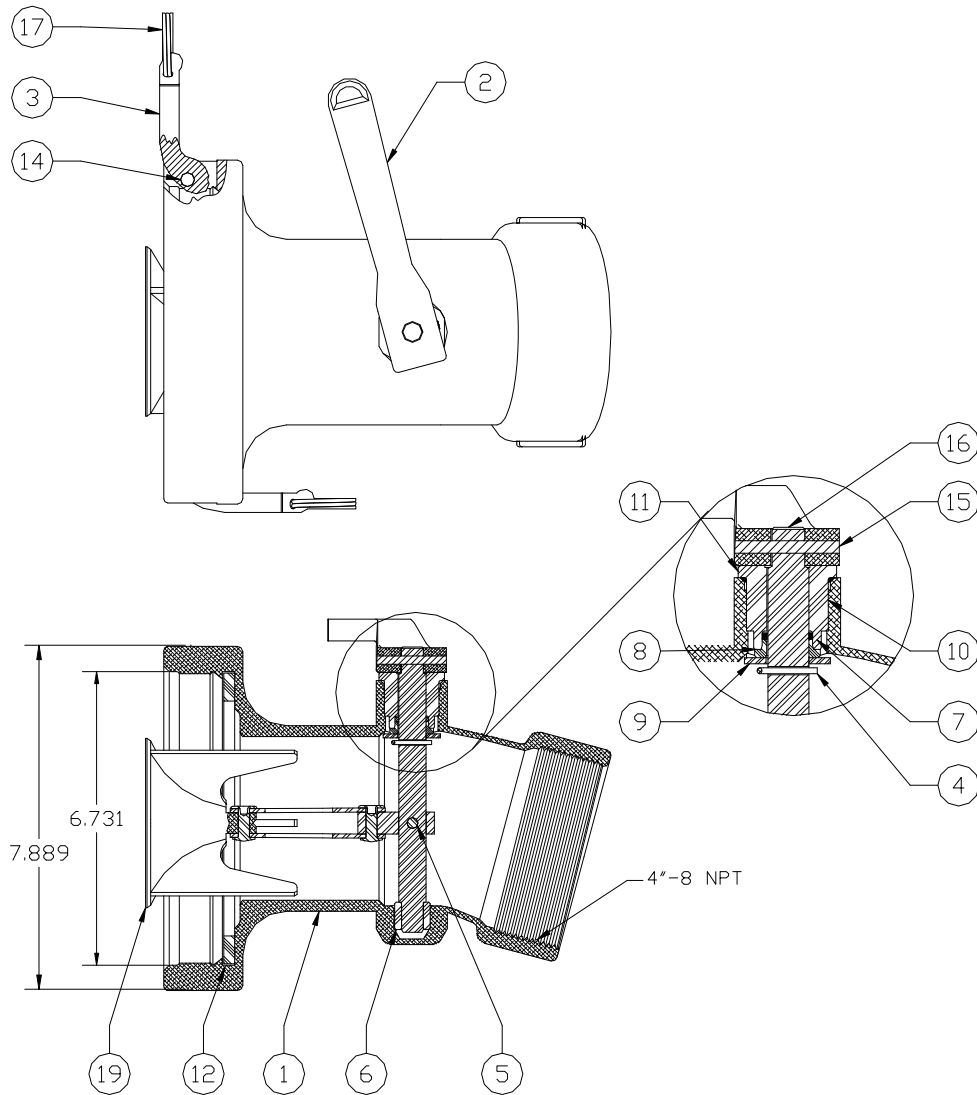
ITEM	PART NUMBER	DESCRIPTION	QTY.
1	E00222A	BODY	1
2	H08347M	GASKET (BUNA)	1
3	H20547M	GASKET (BUNA)	1
4	D10184M	KAM ARM	4

ITEM	PART NUMBER	DESCRIPTION	QTY.
5	H20550M	FINGER RING	4
6	H20144M	GROOVE PIN	4
7	H08328M	CONNECTOR RING	1
8	H20325M	CHAIN	1



871ED-AL40 4" GRAVITY COUPLER

PARTS BREAK DOWN



ITEM	PART NUMBER	DESCRIPTION	QTY.
1	E00227A	BODY	1
2	C10111DI	LEVER	1
3	D10184M ¹	KAM ARM	2
4	H01186M	COTTER PIN	1
5	H04139M	PIN	1
6	H06111RP	BUSHING	1
7	H06121RP	SHAFT RETAINER	1
8	H06281M	O-RING BUNA	1
9	H06364M	WASHER	1
10	H07724M	STUFFING BOX	1

ITEM	PART NUMBER	DESCRIPTION	QTY.
11	H07725M	O-RING (BUNA)	1
12	H08347M	GASKET (BUNA)	1
13	H08475	POPPET	1
14	H20144M ¹	GROOVE PIN	2
15	H20342M	DRIVE PIN	1
16	H20345RE	SHAFT	1
17	H20550M ¹	FINGER RING	2

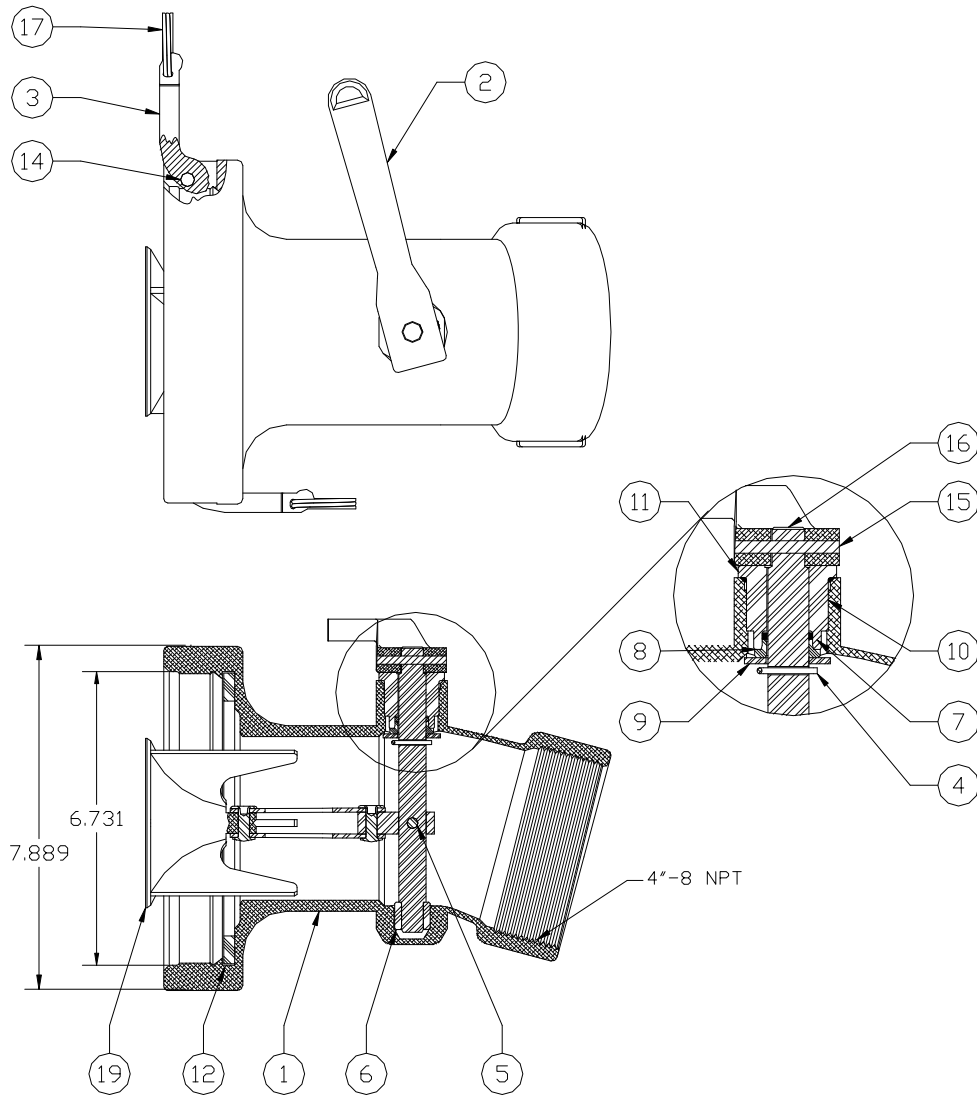
REPAIR KITS	
871-ARM KIT	CAM ARM REPAIR KIT

1 - Included in 871-ARM KIT



871EDK-AL40 4" GRAVITY COUPLER

PARTS BREAK DOWN



ITEM	PART NUMBER	DESCRIPTION	QTY.
1	E00227A	BODY	1
2	C10111DI	LEVER	1
3	D10184M ¹	KAM ARM	2
4	H01186M	COTTER PIN	1
5	H04139M	PIN	1
6	H06111RP	BUSHING	1
7	H06121RP	SHAFT RETAINER	1
8	H06281M	O-RING BUNA	1
9	H06364M	WASHER	1
10	H07724M	STUFFING BOX	1

ITEM	PART NUMBER	DESCRIPTION	QTY.
11	H07725M	O-RING (BUNA)	1
12	H53076M	GASKET (KALREZ)	1
13	H08475	POPPET	1
14	H20144M ¹	GROOVE PIN	2
15	H20342M	DRIVE PIN	1
16	H20345RE	SHAFT	1
17	H20550M ¹	FINGER RING	2

REPAIR KITS	
871-ARM KIT	CAM ARM REPAIR KIT

1 - Included in 871-ARM KIT