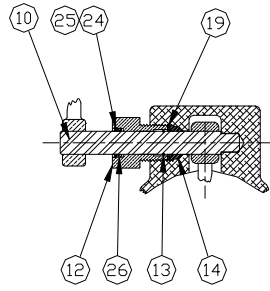


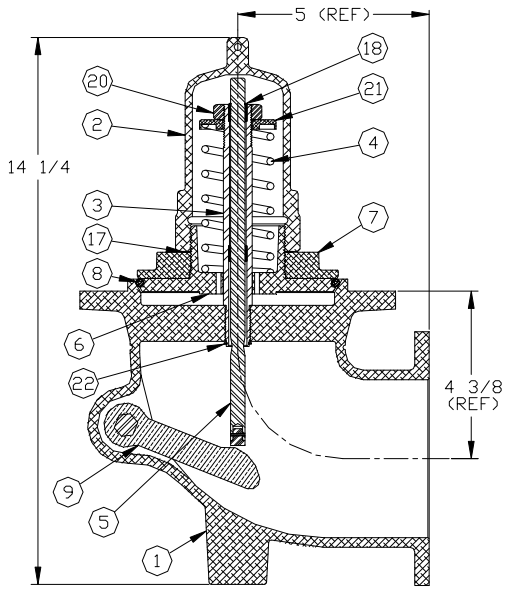
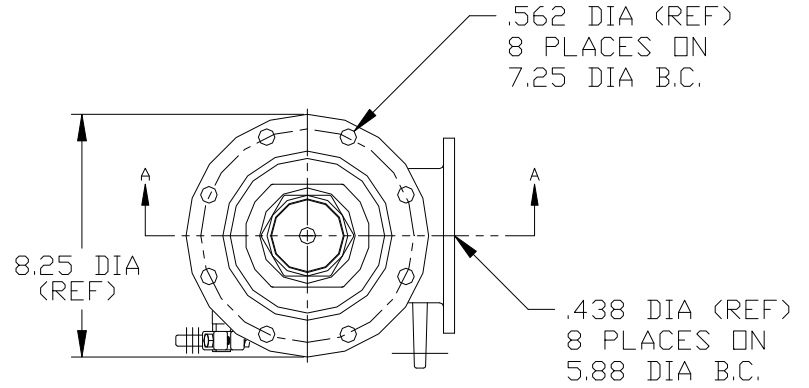


# VA6112A 5" X 4" EMERGENCY VALVE

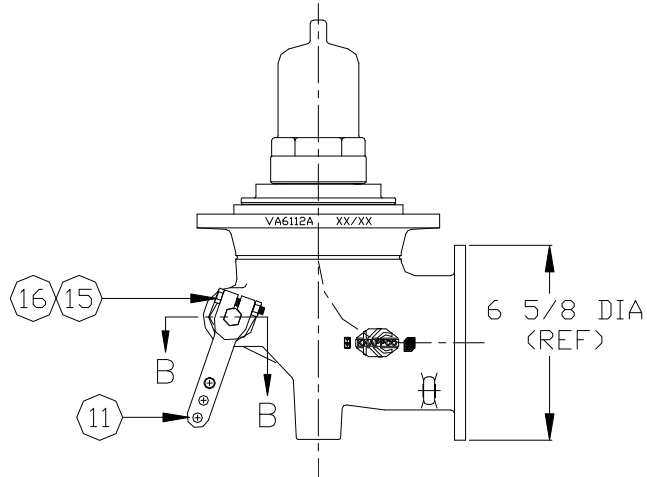
PARTS BREAK DOWN



SECTION B-B



SECTION A-A



ITEM	PART NUMBER	DESCRIPTION	QTY.
1	5086	BODY	1
2	6140	CAP	1
3	2899	STEM ASSEMBLY	1
4	6910	SPRING	1
5	6275	PUSH ROD ASSY.	1
6	6138	DISC	1
7	6139	DISC LOCK NUT	1
8	7342	O-RING (TEF-0- SIL)	1
9	7898	LIFT LEVER (BRASS)	1
10	7909	LEVER SHAFT	1
11	7939	HANDLE	1
12	5212	GLAND	1
13	2198	RETAINING RING	1

ITEM	PART NUMBER	DESCRIPTION	QTY.
14	7117	PACKING (TEFLON)	2
15	5684	SCREW	1
16	5685	HEX NUT	1
17	6227	GASKET (TEFLON)	1
18	4094	RETAINING RING (3/8")	1
19	6024	WASHER	1
20	5687	JAM NUT	1
21	6228	WASHER	1
22	6099	RETAINING RING	1
23	10154	TAG	1
24	5214	BACKING RING (TEFLON)	1
25	5213	RETAINING RING (SS)	1
26	7367	O-RING (TEF-SIL)	1