

Model A-19075-SS

Smart-Flow™ Pressure Relief Valve
August 4, 2017
(Rev 4.1)



TECHNICAL SPECIFICATIONS

- Start-To-Discharge Pressure: 75 PSIG +/- 3 PSIG
- Material of Construction: Stainless Steel
- Flow Rating: 10,730 SCFM
- Flow Rating Pressure: 85 psig (maximum)
- Vapor-Tight Pressure: 60 psig (minimum)
- Weight: 33 lbs
- Flow rating designed to support TC/DOT-117 car designs
- Mounting Configuration per AAR M-1002, Figure E21A
- 6-1/4" bolt circle, flange-mount, tongue and groove
- 17-4 and 304 stainless steel components
- AAR Approval No. PRD152003 (approved for service trial)

Note

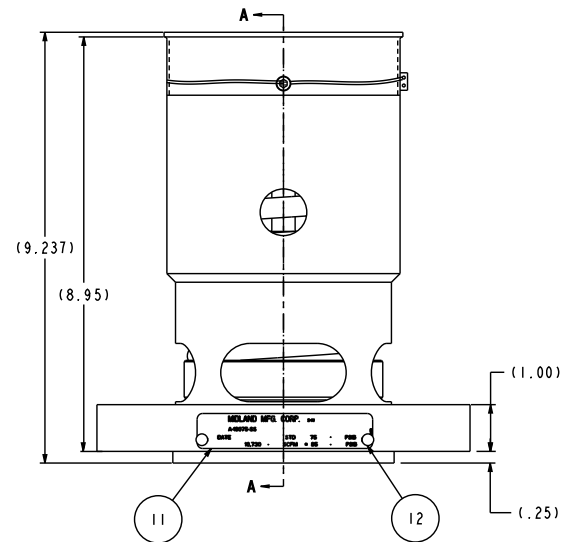
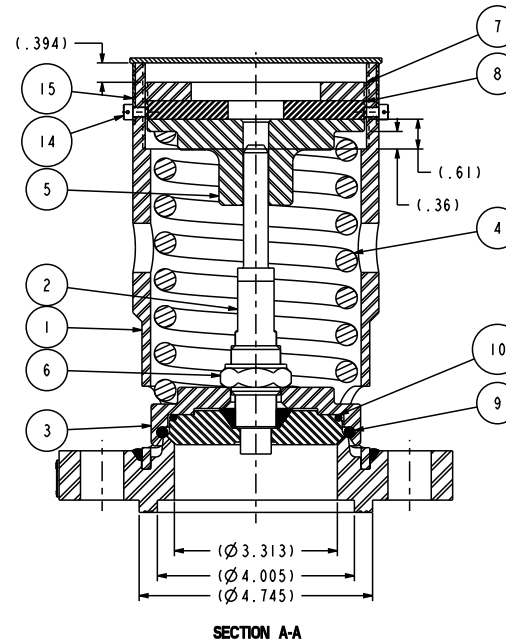
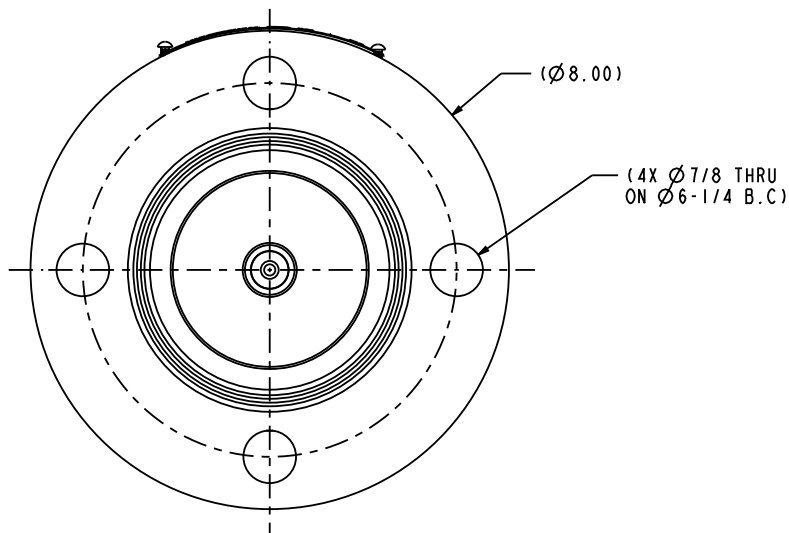
- Viton® O-rings standard; alternate O-ring materials available

Smart-Flow
PRESSURE RELIEF VALVE



ITEM	QTY	PART NAME	MATERIAL	PART NO.
1	1	BODY	STAINLESS STEEL	19075-42-SS
2	1	STEM	STAINLESS STEEL	19075-2-SS
3	1	RETAINER	STAINLESS STEEL	19075-3-SS
4	1	SPRING	STAINLESS STEEL	19075-5-SS
5	1	FOLLOWER	STAINLESS STEEL	19075-6-SS
6	1	THIN NYLON INSERT LOCKNUT	STAINLESS STEEL	22039-9-SS
7	1	LOCKING RING	STAINLESS STEEL	19075-8-SS
8	1	LOCKING RING	STAINLESS STEEL	19075-13-SS
9	1	O-RING, 2-342	VITON B	19075-10-VB*
10	1	O-RING, 2-236	VITON B	19075-11-VB*
11	1	NAME PLATE	STAINLESS STEEL	19075-122-SS
12	2	DRIVE SCREW	STAINLESS STEEL	763-11-SS
13	1	WIRE SEAL KIT	LEAD	22-72-PB
14	2	BOLT	STAINLESS STEEL	19075-7-SS
15	1	WEATHER CAP	LOW DENSITY POLYETHYLENE	19075-9-PE

NOTE: (*) - ALTERNATE MATERIALS ARE AVAILABLE



Model A-19075-SS

Smart-Flow™ Pressure Relief Valve

August 4, 2017
(Rev 4.1)

